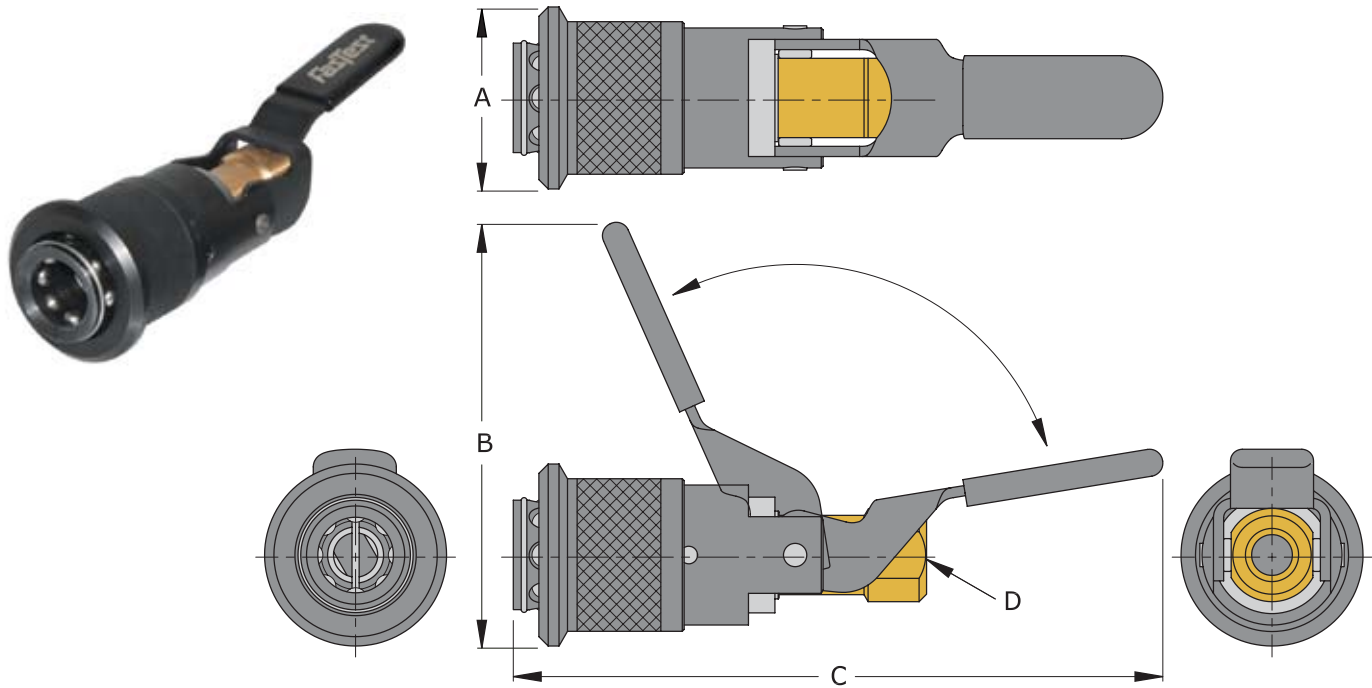


Fast, Easy and Safe Connections for High Pressure Refrigeration Filling Applications



- ✓ **Specifically Designed for New Higher Pressure Refrigerants**
- ✓ **Easy to Operate Connectors with Unrestricted Flow Rate for Male PCU, Hansen or Equivalent Style Tips**
- ✓ **Disconnect Vents Trapped Residual Refrigerant with Minimal Media Loss**
- ✓ **Pressure Lock Feature Prevents Accidental Disconnect Under Pressure**
- ✓ **Heavy Duty Steel Construction and Easy Maintenance for Extended Connector Service Life**

FasTest's new Refrigeration Quick Disconnect (**RQD**) takes the pressure out of connecting to refrigerant lines for charging or evacuating cooling appliances and applications. The **RQD's** unique lever action minimizes the effort necessary for connecting to refrigerant lines under high pressure while adding the lever mechanical advantage to the valve opening. This simple two step connection process reduces worker fatigue and increases manufacturing productivity.



RQD Lever Action Style for PCU Tips

Part Number	Connects to	Diameter Dim "A"	Height Dim "B"	Length Dim "C"	Term. Dim "D"	Rating PSI	Housing Material	Seal Material	Repair Kit	Main Seals Package (5)
KA04PB	1/4" PCU	1.75"	4.39"	7.00"	1/4" NPT	750	Black Oxide Steel	Neoprene	KR04PB	KSM04
KA06PB	3/8" PCU	1.95"	4.54"	7.00"	3/8" NPT	750	Black Oxide Steel	Neoprene	KR06PB	KSM06PB

Notes:
 1/4" PCU mates to PCU Model 61/62 and 71/72 or equivalent.
 3/8" PCU mates to PCU Model 66/67 or equivalent.

RQD Lever Action Style for Hanson Tips

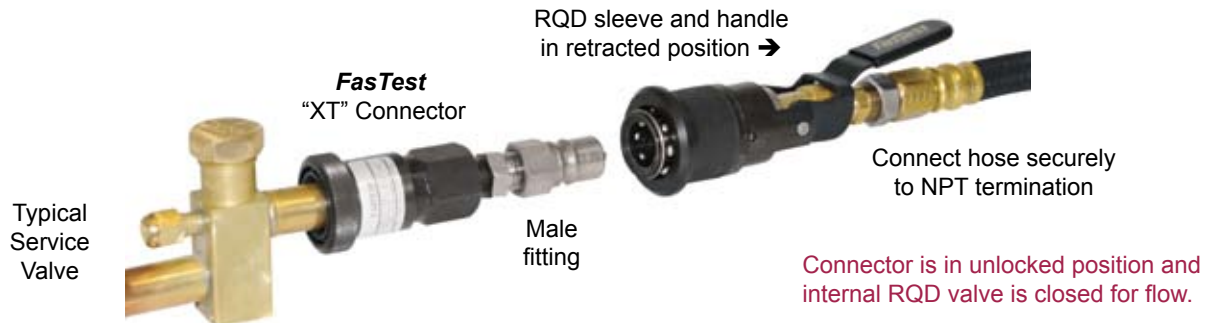
Part Number	Connects to	Diameter Dim "A"	Height Dim "B"	Length Dim "C"	Term. Dim "D"	Rating PSI	Housing Material	Seal Material	Repair Kit	Main Seals Package (5)
KA04HB	1/4" Hanson	1.75"	4.39"	7.00"	1/4" NPT	750	Black Oxide Steel	Neoprene	KR04HB	KSM04
KA06HB	3/8" Hanson	1.95"	4.54"	7.00"	3/8" NPT	750	Black Oxide Steel	Neoprene	KR06HB	KSM06HB

Notes:
 1/4" PCU mates to ISO standard 7241-1 Series B tips (Hanson 2-K series tips, Parker 60 series tips) or equivalent.
 3/8" PCU mates to ISO standard 7241-1 Series B tips (Hanson 3-K series tips, Parker 60 series tips) or equivalent.

Operating Instructions

Connecting the **RQD** is a simple process that delivers a fast, safe and repeatable high pressure connection to 1/4" and 3/8" PCU and Hanson style tips with a minimal amount of physical effort.

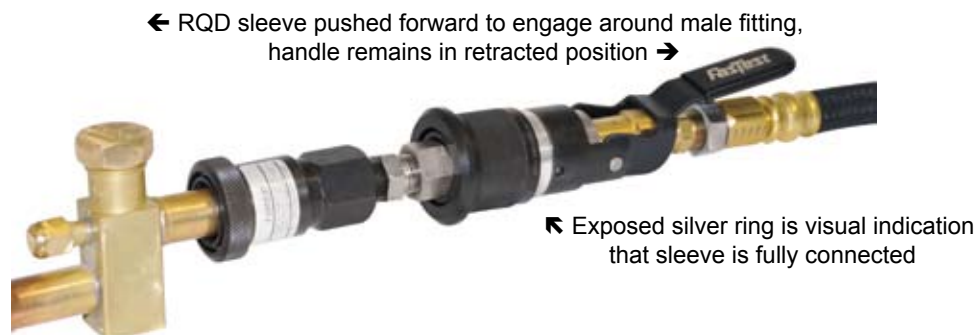
1



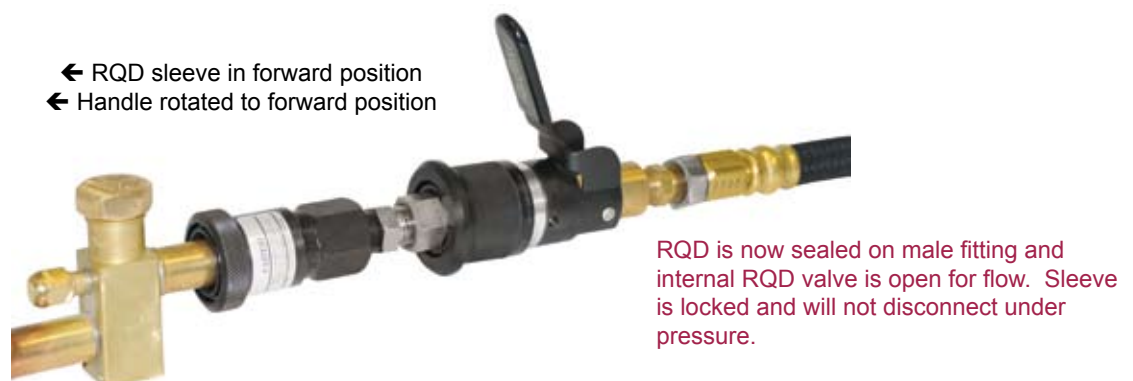
2



3

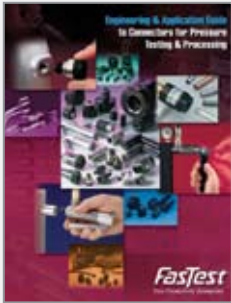


4



To disconnect, simply reverse the RQD connection process. Rotating handle will close the internal RQD valve and vent the trapped media away from the handle.

Additional Products and Brochures from *FasTest*



Engineering & Application Guide

Engineering and Application Guide to Connectors for Pressure Testing & Processing details our complete offering for all applications.



TwistMate Connectors

Complete product line of manually threaded connectors featuring pressure assisted sealing technology for leak and pressure testing applications.



Refrigeration Connectors

The **CoreMax** system of high flow processing valves and connectors for the refrigeration manufacturing and service industry.

Additional Services from *FasTest*

Buy Fast-est - Several models of our most popular **TwistMates** connectors and seals featured in this brochure are available for immediate purchase in our on-line store in small quantities.

To see what models are currently available as well as other selected connectors please visit our on-line store at www.fastestinc.com or contact **FasTest** for details.

Buy Fast-est

ReConnect - Our connector refurbishment and competitor replacement program ensures proper connector operation and performance and extends the service life and warranty of your investment. Connectors routinely maintained can be refurbished or replaced economically relative to the cost of a new connector replacement. Visit www.fastestinc.com/reconnect or contact **FasTest** for details.

ReConnect

Custom Applications - Customized products are available for unusual or unique connection requirements.

Limited Express Warranty

FasTest Inc. warrants its products against defects in workmanship and materials for 12 months from the date of sale by FasTest Inc. or its authorized distributor. This warranty is void if the product is misused, tampered with or used in a manner that is contrary to FasTest Inc.'s written recommendations and/or instructions.

FasTest Inc. does not warrant the suitability of the product for any particular application. Determining product application suitability is solely the customer's responsibility. FasTest Inc. is not liable for consequential or other damages including, but not limited to, loss, damage, personal injury, or any other expense directly or indirectly arising from the use of or inability to use its products either separately or in combination with other products.

ALL OTHER WARRANTIES EXPRESS OR IMPLIED, WHETHER ORAL, WRITTEN OR IN ANY OTHER FORM, INCLUDING BUT NOT LIMITED TO WARRANTIES OF MERCHANTABILITY OR FITNESS FOR A PARTICULAR PURPOSE ARE EXPRESSLY EXCLUDED.

The sole and exclusive remedy under this warranty is limited to replacement of the product or an account credit in the amount of the original selling price, at the option of FasTest Inc. All allegedly defective products must be returned prepaid transportation to FasTest Inc., together with information describing the product's performance, unless disposition in the field is authorized in writing by FasTest Inc.

Notifications and Copyright

Specifications in this brochure are subject to change without notice. FasTest also reserves the right to make modifications and makes no guarantee of the accuracy of the information contained herein.

© 2010 FasTest Inc. All rights reserved. No part of this publication may be reproduced with written without permission.