

5200 SERIES UNIVERSAL HIGH CAPACITY LOAD CELLS

FEATURES

- Universal Tension and Compression
- 4 Column Cell
- .1% Accuracy
- Accomodates High Side and Off-Center Loads
- 5pt Tension & Compression Calibration
- Proprietary Modulus Compensated Strain Gages
- Metric Capacities Available - Consult Factory



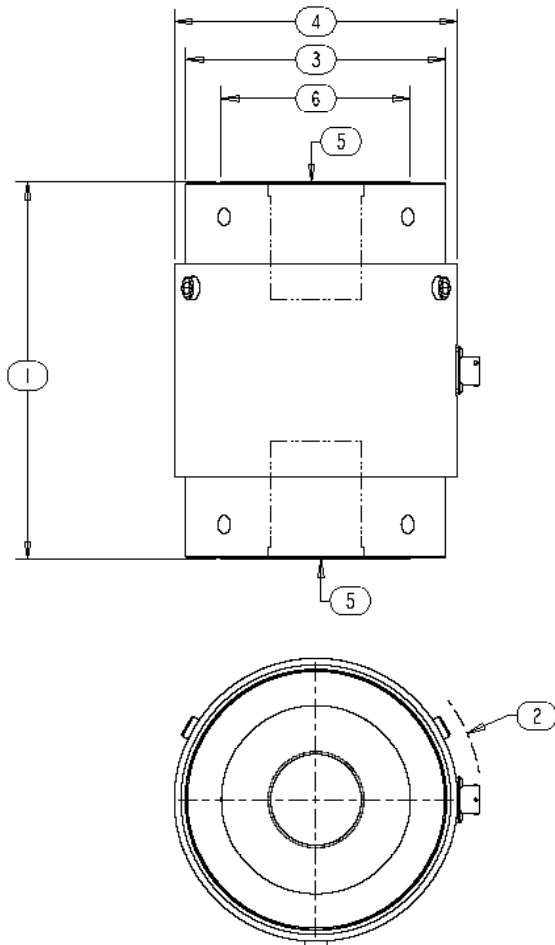
SPECIFICATIONS

Model	5230	5240	5260	5280
Capacity U.S. lbf.	100K, 135K	250K	500K	1000K
PARAMETERS				
ACCURACY				
Static Error Band, % Rated Output	+/- .100	+/- .100	+/- .100	+/- .150
Nonlinearity, % Rated Output	+/- .100	+/- .100	+/- .100	+/- .150
Hysteresis, % Rated Output	+/- .100	+/- .100	+/- .100	+/- .150
Nonrepeatability, % Rated Output	+/- .010	+/- .010	+/- .010	+/- .010
Creep, % in 20 minutes	+/- .025	+/- .025	+/- .025	+/- .025
Zero Balance, % Rated Output	+/- 1.0	+/- 1.0	+/- 1.0	+/- 1.0
TEMPERATURE				
Range, Compensated, °F	+15 to +115	+15 to +115	+15 to +115	+15 to +115
Range, Compensated, °C	-10 to +45	-10 to +45	-10 to +45	-10 to +45
Range, Operating, °F	-30 to +200	-30 to +200	-30 to +200	-30 to +200
Range, Operating, °C	-34 to +90	-34 to +90	-34 to +90	-34 to +90
Effect on Sensitivity, % Rdg/ °F	+/- 0.0008	+/- 0.0008	+/- 0.0008	+/- 0.0008
Effect on Sensitivity, % Rdg/ °C	+/- 0.0015	+/- 0.0015	+/- 0.0015	+/- 0.0015
Effect on Zero, % Rated Output/ ° F	+/- 0.0015	+/- 0.0015	+/- 0.0015	+/- 0.0015
Effect on Zero, % Rated Output/ ° C	+/- 0.0027	+/- 0.0027	+/- 0.0027	+/- 0.0027
ELECTRICAL				
Rated Output, mV/V, Nominal	2	2	2	2
Excitation Voltage, VDC Maximum	15	15	15	15
Input Resistance, Ohms	700	700	700	700
Output Resistance, Ohms	700	700	700	700
Insulation Resistance, Megohm	5000	5000	5000	5000
Bayonet Connector	PT02E-10-6P (MS3112E-10-6P)			
MECHANICAL				
Safe Overload Range, % Rated Capacity	+/- 150	+/- 150	+/- 150	+/- 150
Weight lb	34	42	129	331
Flexure Material	Steel			

5200 SERIES UNIVERSAL HIGH CAPACITY LOAD CELLS

DIMENSIONS

Model	5230	5240	5260	5280
Capacity	100K, 135K lbf	250K lbf	500K lbf	1000K
Dimensions	inch	inch	inch	Consult Factory
1.	8.00	8.00	12.00	
2.	R 3.23	R 3.48	R 4.96	
3.	5.00	5.50	8.40	
4.	5.49	5.99	8.90	
5.	2-12 2.4 Deep	2-12 2.75 Deep	4-8 4.0 Deep	
6.	3.30	4.00	6.00	



OPTIONS

- Additional bridges
- Output adjustment to standard
- Compression overload protection
- Integral cable
- Custom connectors
- Connector Protectors

ACCESSORIES

- Mating connector
- Loading fixtures
- Interconnect cable
- Shunt calibration resistor
- Instrumentation