

LOW CAPACITY FATIGUE RATED (FR5) SERIES LOAD CELLS

FEATURES

- Fatigue Rated
- Small Scale
- Sealed
- Static Error Band .05%
- In-line Loading
- Compensated for Off Axis Loads
- 5pt Tension & Compression Calibration
- Proprietary Modulus Compensated Strain Gages

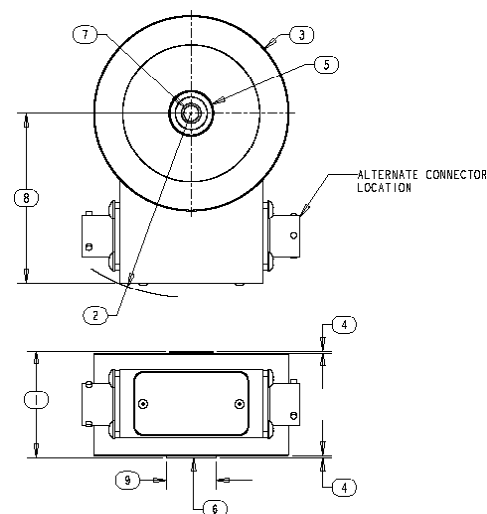


SPECIFICATIONS

Model	FR5	
Capacity	U.S. lbf.	25, 50, 100, 200, 300
PARAMETERS	N	125, 250, 500, 1000, 1500
ACCURACY		
Static Error Band, % Rated Output		+/-0.050
Nonlinearity, % Rated Output		+/-0.050
Hysteresis, % Rated Output		+/-0.050
Nonrepeatability, % Rated Output		+/-0.010
Creep, % in 20 minutes		+/-0.030
Off-Center Load Sensitivity, %/inch		+/-0.250
Side Load Sensitivity, %		+/-0.250
Zero Balance, % Rated Output		+/-1.0
TEMPERATURE		
Range, Compensated, °F		+15 to +115
Range, Compensated, °C		-10 to +45
Range, Operating, °F		-65 to +200
Range, Operating, °C		-55 to +90
Effect on Sensitivity, % Rdg/ °F		+/-0.0008
Effect on Sensitivity, % Rdg/ °C		+/-0.0015
Effect on Zero, % Rated Output/ °F		+/-0.0015
Effect on Zero, % Rated Output/ °C		+/-0.0027
ELECTRICAL		
Rated Output, mV/V, Nominal		2
Excitation Voltage, VDC Maximum		15
Input Resistance, Ohms		700 +80/-7
Output Resistance, Ohms		700 +80/-7
Insulation Resistance, Megohm		5000 (@ 50VDC)
Bayonet Connector		PT02E-10-6P (MS3112E-10-6P)
MECHANICAL		
Safe Overload Range, % Rated Capacity		+/- 150
Weight lb		0.8
Weight kg		.36
Flexure Material		Aluminum

DIMENSIONS

Model	FR5	FR5M
Capacity	25, 50, 100, 200, 300 lbf	125, 250, 500, 1000, 1500 N
Dimensions	inch	mm
1.	1.50	38.1
2.	R 2.57	R 65.3
3.	2.73	69.3
4.	.03	0.8
5.	.63	16.0
6.	1/4 - 28 .37 Deep	M6 x 1 9.4 Deep
7.	1/4 - 28 .75 Deep	M6 x 1 19.0 Deep
8.	2.37	60.2
9.	.69	17.5



OPTIONS

Additional bridges
Output adjustment to standard
Compression overload protection
Integral cable
Custom connectors

ACCESSORIES

Mating connector
Loading fixtures
Interconnect cable
Shunt calibration resistor
Instrumentation