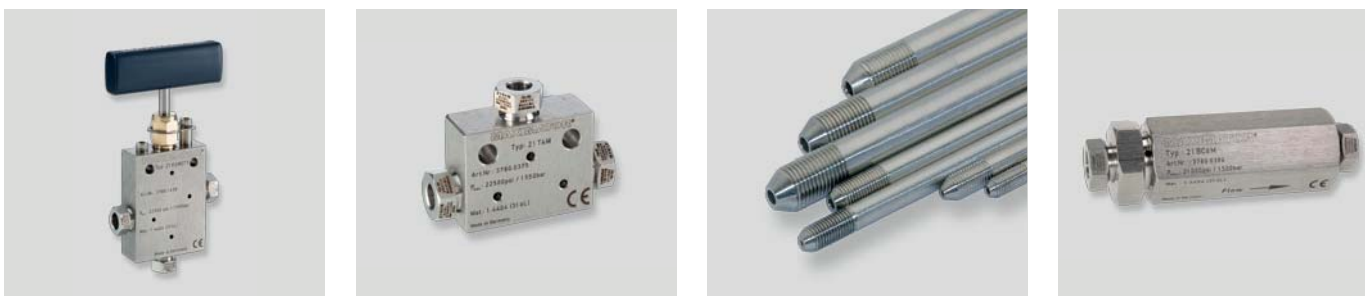


# Medium Pressure Valves, Fittings and Tubing

» Pressures to 22,500 psi (1,550 bar)



MAXIMATOR has been designing and manufacturing high pressure equipment for more than thirty years and has a worldwide reputation for quality and reliability, backed by one of the best service organizations in the industry.

## Medium Pressure Valves feature:

- Rising stem design.
- 316 L (1.4404) wetted parts and 17-4 PH Stem for excellent corrosion resistance.
- Metal-to-metal seating achieves bubble-tight shut-off, longer stem and seat life, greater durability for repeated open and close cycles.
- PTFE and carbon packing with metal back-up rings offers reliable stem to body sealing.
- Non-rotating stem prevents stem to seat galling.
- Stem sleeve and packing gland materials have been selected to achieve optimum thread cycle life and reduced handle torque. All stem sleeve threads are rolled, assuring smooth operation.
- Safety weep holes for all pressure connections and packing area.
- Six different valve body patterns, with choice of vee or regulating type stem tip.

MAXIMATOR offers a complete line of medium pressure valves, fittings, tubing, check valves, line filters, anti-vibration fittings and safety head assemblies. All medium pressure valves and fittings use the medium pressure style connection. This coned and threaded connection features orifice sizes to match the high flow characteristics of the medium pressure valve, fittings and tubing line.

**Note: When selecting multiple items, the pressure rating would be that of the lowest rated component.**

Medium Pressure Index	Page:
Valves	2 – 4
Double Block and Bleed Needle Valves	5
Fittings	6 – 7
Anti-Vibration Collet Gland Assemblies	8
Check Valves	9 – 10
Line Filters	11
Angle Filters	12
Safety Head Assemblies and Rupture Discs	13 – 14
Relief Valves	15
Tubing	16
Coned and Threaded Nipples	17

MAXIMATOR GmbH, Lange Straße 6, 99734 Nordhausen, Telefon +49 (0) 3631 9533–0, Telefax +49 (0) 3631 9533–5010, [www.maximator.de](http://www.maximator.de), [info@maximator.de](mailto:info@maximator.de)  
All technical and dimensional information subject to change. All general Terms and Conditions of sale, including limitations of our liability, apply to all products and services sold.

Products for Sour Gas Applications  
Pipe Valves & Fittings  
to 15,200 psi (1,050 bar)

Adapters and Couplings  
Medium Pressure  
to 22,500 psi (1,550 bar)

Accessories  
High Pressure  
to 65,000 psi (4,500 bar)

Tools  
Ultra High Pressure  
to 152,000 psi (10,500 bar)

Technical Information  
Valve Actuators

Customized Solutions  
Ball Valves  
to 21,000 psi (1,500 bar)

# Medium Pressure Valves

» Pressures to 22,500 psi (1,550 bar)



Ordering Information  
Typical catalog number:  
21V4M071

## Medium pressure valves

Maximator Medium pressure valves with metal to metal seats have a high level of safety and reliability under adverse operating conditions. These valves may be used both with gases and liquids.

Traceability is ensured through extensively documented data (batch number, maximum pressure, material number, type designation). All medium pressure valves include glands and collars.

21 V Valve Series	4M O.D. Tube Size	07 Stem Type	1 Body Pattern	Options
<b>21 V</b>	<b>4M</b> – 1/4"	<b>07</b> – VEE stem	<b>1</b> – two-way straight	Extreme
	<b>6M</b> – 3/8"	<b>08</b> – REGULATING stem*	<b>2</b> – two-way angle	temperature
	<b>9M</b> – 9/16"	<b>87</b> – VEE stem with replaceable seat	<b>3</b> – three-way, two on pressure	option, see
	<b>12M</b> – 3/4"	<b>88</b> – REGULATING stem with replaceable seat*	<b>4</b> – three-way, one on pressure	information
	<b>16M</b> – 1"		<b>5</b> – three-way, two-stem manifold	below.

## Options for Medium pressure valves

### Special Designs for Extreme Temperatures

Standard valves are supplied with Teflon / Carbon packing and may be operated to 450°F (230°C). High temperature packing and / or extended stuffing box are available for service from -423°F to 1200°F (-252°C to 650°C) by adding the following suffixes to catalog order number.

- **TG** – standard valve with teflon glass packing to 600°F (315°C).

- **GY** – standard valve with graphite braided yarn packing to 800°F (425°C).
- **HT** – extended stuffing box valve with graphite braided yarn packing to 1200°F (650°C).
- **B** – standard valve with cryogenic trim materials and Teflon packing to -100°F (-73°C).
- **LT** – extended stuffing box valve with teflon packing and cryogenic trim materials to -423°F (-252°C).

O.D. Size in. (mm)	Connec- tion Type	Orifice Size in. (mm)	Rated Cv**	Pressure Rating @ R.T. psi (bar)***
1/4 (6.35)	4MF	0.125 (3.2)	0.31	22,500 (1,550)
3/8 (9.53)	6MF	0.219 (5.6)	0.75	22,500 (1,550)
9/16 (14.29)	9MF	0.312 (7.9)	1.30	22,500 (1,550)
3/4 (19.05)	12MF	0.438 (11.1)	2.50	22,500 (1,550)
1 (25.4)	16MF	0.562 (14.3)	4.40	22,500 (1,550)

Consult your MAXIMATOR representative for **repair kits** and valve bodies. Refer to the Tools and Installation section for proper maintenance procedures.

\* tapered tip for regulating and shut-off

\*\* Cv values shown are for 2-way straight pattern vee stem valves. For 2-way angle patterns, increase the Cv value by 50%. For Flow coefficient reference curves, please refer to chapter Technical Informations.

\*\*\* See page 2 in the Technical Section for Pressure/Temperature Rating Chart.

Products for Sour Gas Applications  
Pipe Valves & Fittings  
to 15,200 psi (1,050 bar)

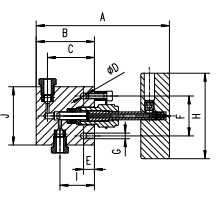
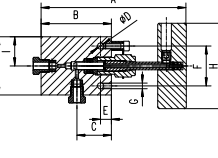
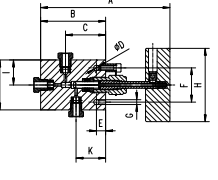
Adapters and Couplings  
Medium Pressure  
to 22,500 psi (1,550 bar)

Accessories  
High Pressure  
to 65,000 psi (4,500 bar)

Tools  
Ultra High Pressure  
to 152,000 psi (10,500 bar)

Technical Information  
Valve Actuators

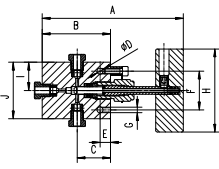
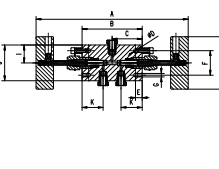
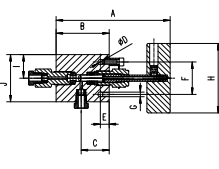
Customized Solutions  
Ball Valves  
to 21,000 psi (1,500 bar)

Valve Pattern	Catalog Number	Stem Type	O.D. Tube in.	Orifice in. (mm)	Dimensions in. (mm)										Valve Panel Hole	Block Thickness
					A	B	C	D	E	F	H	I	J	K		
<b>2-Way Straight</b>																
	21V4M071	Vee	1/4	0.106	4.61	2.01	1.62	0.22	0.37	1.24	2.95	1.19	2.01		0.75	0.79
	21V4M081	Reg		(2.7)	(117)	(51)	(41.1)	(5.6)	(9.5)	(31.5)	(75)	(30.2)	(51)		(19.1)	(20.1)
	21V6M071	Vee	3/8	0.201	4.61	2.01	1.62	0.22	0.37	1.24	2.95	1.19	2.01		0.75	0.79
	21V6M081	Reg		(5.1)	(117)	(51)	(41.1)	(5.6)	(9.5)	(31.5)	(75)	(30.2)	(51)		(19.1)	(20.1)
	21V9M071	Vee	9/16	0.307	5.87	2.88	2.38	0.37	0.45	1.38	3.94	1.75	2.50		1.00	1.02
	21V9M081	Reg		(7.8)	(149)	(73.2)	(60.5)	(9.5)	(11.5)	(35)	(100)	(44.5)	(63.5)		(25.4)	(25.9)
	21V12M071	Vee	3/4	0.438	7.05	3.74	3.00	0.43	0.63	1.76	10.31	2.25	3.00		1.25	1.38
	21V12M081	Reg		(11.1)	(179)	(95)	(76)	(11)	(16)	(44.7)	(262)	(57.2)	(76)		(31.8)	(35)
	21V16M071	Vee	1	0.562	8.98	4.65	3.75	0.53	1.13	2.50	10.31	2.81	4.13		1.62	1.77
21V16M081	Reg	(14.3)		(228)	(118)	(95.3)	(13.5)	(28.7)	(63.5)	(262)	(71.4)	(105)		(41.1)	(45)	
<b>2-Way Angle</b>																
	21V4M072	Vee	1/4	0.106	5.00	2.43	1.19	0.22	0.37	1.24	2.95	1.00	2.01		0.75	0.79
	21V4M082	Reg		(2.7)	(127)	(61.7)	(30.2)	(5.6)	(9.5)	(31.5)	(75)	(25.4)	(51)		(19.1)	(20.1)
	21V6M072	Vee	3/8	0.201	5.00	2.43	1.19	0.22	0.37	1.24	2.95	1.00	2.01		0.75	0.79
	21V6M082	Reg		(5.1)	(127)	(61.7)	(30.2)	(5.6)	(9.5)	(31.5)	(75)	(25.4)	(51)		(19.1)	(20.1)
	21V9M072	Vee	9/16	0.307	6.36	3.38	1.75	0.37	0.45	1.38	3.94	1.25	2.50		1.00	1.02
	21V9M082	Reg		(7.8)	(161.5)	(85.9)	(44.5)	(9.5)	(11.5)	(35)	(100)	(31.8)	(63.5)		(25.4)	(25.9)
	21V12M072	Vee	3/4	0.438	7.56	4.25	2.25	0.43	0.63	1.76	10.31	1.50	3.00		1.25	1.38
	21V12M082	Reg		(11.1)	(192)	(108)	(57.2)	(11)	(16)	(44.7)	(262)	(38)	(76)		(31.8)	(35)
	21V16M072	Vee	1	0.562	9.45	5.12	2.81	0.53	1.13	2.50	10.31	2.07	4.13		1.62	1.77
21V16M082	Reg	(14.3)		(240)	(130)	(71.4)	(13.5)	(28.7)	(63.5)	(262)	(52.5)	(105)		(41.1)	(45)	
<b>3-Way / 2 on Pressure</b>																
	21V4M073	Vee	1/4	0.106	5.20	2.62	1.62	0.22	0.37	1.24	2.95	1.00	2.01	1.19	0.75	0.79
	21V4M083	Reg		(2.7)	(132)	(66.5)	(41.1)	(5.6)	(9.5)	(31.5)	(75)	(25.4)	(51)	(30.2)	(19.1)	(20.1)
	21V6M073	Vee	3/8	0.201	5.20	2.62	1.62	0.22	0.37	1.24	2.95	1.00	2.01	1.19	0.75	0.79
	21V6M083	Reg		(5.1)	(132)	(66.5)	(41.1)	(5.6)	(9.5)	(31.5)	(75)	(25.4)	(51)	(30.2)	(19.1)	(20.1)
	21V9M073	Vee	9/16	0.307	6.60	3.62	2.38	0.37	0.45	1.38	3.94	1.25	2.50	1.75	1.00	1.02
	21V9M083	Reg		(7.8)	(167.6)	(92)	(60.5)	(9.5)	(11.5)	(35)	(100)	(31.8)	(63.5)	(44.5)	(25.4)	(25.9)
	21V12M073	Vee	3/4	0.438	7.97	4.63	3.00	0.43	0.63	1.76	10.31	1.50	3.00	2.25	1.25	1.38
	21V12M083	Reg		(11.1)	(201)	(117.5)	(76)	(11)	(16)	(44.7)	(262)	(38)	(76)	(57.2)	(31.8)	(35)
	21V16M073	Vee	1	0.562	10.20	5.87	3.75	0.53	1.13	2.50	10.31	2.07	4.13	2.81	1.62	1.77
21V16M083	Reg	(14.3)		(259)	(149)	(95.3)	(13.5)	(28.7)	(63.5)	(262)	(52.5)	(105)	(71.4)	(41.1)	(45)	

G - Panel mounting screw thread size 10-24 UNC (screw included). All dimensions are for reference only and are subject to change.

# Medium Pressure Valves

» Pressures to 22,500 psi (1,550 bar)

Valve Pattern	Catalog Number	Stem Type	O.D. Tube in.	Orifice in. (mm)	Dimensions in. (mm)										Valve Panel Hole	Block Thickness
					A	B	C	D	E	F	H	I	J	K		
<b>3-Way / 1 on Pressure</b>																
	21V4M074	Vee	1/4	0.106	5.00	2.43	1.19	0.22	0.37	1.24	2.95	1.00	2.01	0.75	0.79	
	21V4M084	Reg		(2.7)	(127)	(61.7)	(30.2)	(5.6)	(9.5)	(31.5)	(75)	(25.4)	(51)			(19.1)
	21V6M074	Vee	3/8	0.201	5.00	2.43	1.19	0.22	0.37	1.24	2.95	1.00	2.01	0.75	0.79	
	21V6M084	Reg		(5.1)	(127)	(61.7)	(30.2)	(5.6)	(9.5)	(31.5)	(75)	(25.4)	(51)			(19.1)
	21V9M074	Vee	9/16	0.307	6.34	3.38	1.75	0.37	0.45	1.38	3.94	1.25	2.50	1.00	1.02	
	21V9M084	Reg		(7.8)	(161)	(85.9)	(44.5)	(9.5)	(11.5)	(35)	(100)	(31.8)	(63.5)			(25.4)
	21V12M074	Vee	3/4	0.438	7.56	4.25	2.25	0.43	0.63	1.76	10.31	1.50	3.00	1.25	1.38	
	21V12M084	Reg		(11.1)	(192)	(108)	(57.2)	(11)	(16)	(44.7)	(262)	(38)	(76)			(31.8)
	21V16M074	Vee	1	0.562	9.53	5.20	2.81	0.53	1.13	2.50	10.31	2.07	4.13	1.62	1.77	
	21V16M084	Reg		(14.3)	(242)	(132)	(71.4)	(13.5)	(28.7)	(63.5)	(262)	(52.5)	(105)			(41.1)
<b>3-Way / 2-Stem Manifold</b>																
	21V4M075	Vee	1/4	0.106	8.54	3.39	1.19	0.22	0.37	1.24	2.95	1.00	2.01	1.19	0.75	0.79
	21V4M085	Reg		(2.7)	(217)	(86)	(43)	(5.6)	(9.5)	(31.5)	(75)	(25.4)	(51)	(30.2)	(19.1)	(20.1)
	21V6M075	Vee	3/8	0.201	8.54	3.39	1.19	0.22	0.37	1.24	2.95	1.00	2.01	1.19	0.75	0.79
	21V6M085	Reg		(5.1)	(217)	(86)	(43)	(5.6)	(9.5)	(31.5)	(75)	(25.4)	(51)	(30.2)	(19.1)	(20.1)
	21V9M075	Vee	9/16	0.307	11.1	5.12	2.56	0.37	0.45	1.38	3.94	1.25	2.50	1.75	1.00	1.02
	21V9M085	Reg		(7.8)	(282)	(130)	(65)	(9.5)	(11.5)	(35)	(100)	(31.8)	(63.5)	(44.5)	(25.4)	(25.9)
	21V12M075	Vee	3/4	0.438	13.07	6.50	3.25	0.43	0.63	1.76	10.31	1.50	3.00	2.25	1.25	1.38
	21V12M085	Reg		(11.1)	(332)	(165)	(82.5)	(11)	(16)	(44.7)	(262)	(38)	(76)	(57.2)	(31.8)	(35)
	21V16M075	Vee	1	0.562	16.18	7.52	3.76	0.53	1.13	2.50	10.31	2.07	4.13	2.81	1.62	1.77
	21V16M085	Reg		(14.3)	(411)	(191)	(95.5)	(13.5)	(28.7)	(63.5)	(262)	(52.5)	(105)	(71.4)	(41.1)	(45)
<b>2-Way Angle / Replaceable Seat</b>																
	21V4M872	Vee	1/4	0.106	4.84	2.25	1.19	0.22	0.37	1.24	2.95	1.00	2.01	0.75	0.79	
	21V4M882	Reg		(2.7)	(123)	(57.2)	(30.2)	(5.6)	(9.5)	(31.5)	(75)	(25.4)	(51)			(19.1)
	21V6M872	Vee	3/8	0.201	4.84	2.25	1.19	0.22	0.37	1.24	2.95	1.00	2.01	0.75	0.79	
	21V6M882	Reg		(5.1)	(123)	(57.2)	(30.2)	(5.6)	(9.5)	(31.5)	(75)	(25.4)	(51)			(19.1)
	21V9M872	Vee	9/16	0.307	6.65	3.21	1.75	0.37	0.45	1.38	3.94	1.25	2.50	1.00	1.02	
	21V9M882	Reg		(7.8)	(169)	(81.5)	(44.5)	(9.5)	(11.5)	(35)	(100)	(31.8)	(63.5)			(25.4)
	21V12M872	Vee	3/4	0.438	7.56	4.25	2.25	0.43	0.63	1.76	10.31	1.50	3.00	1.25	1.38	
	21V12M882	Reg		(11.1)	(192)	(108)	(57.2)	(11)	(16)	(44.7)	(262)	(38)	(76)			(31.8)
	21V16M872	Vee	1	0.562	9.57	5.25	2.81	0.53	1.13	2.50	10.31	2.07	4.13	1.62	1.77	
	21V16M882	Reg		(14.3)	(243)	(133.3)	(71.4)	(13.5)	(28.7)	(63.5)	(262)	(52.5)	(105)			(41.1)

G - Panel mounting screw thread size 10-24 UNC (screw included). All dimensions are for reference only and are subject to change.

All technical and dimensional information subject to change. All general Terms and Conditions of sale, including limitations of our liability, apply to all products and services sold.

Products for Sour Gas Applications  
Pipe Valves & Fittings  
to 15,200 psi (1,050 bar)

Adapters and Couplings  
Medium Pressure  
to 22,500 psi (1,550 bar)

Accessories  
High Pressure  
to 65,000 psi (4,500 bar)

Tools  
Ultra High Pressure  
to 152,000 psi (10,500 bar)

Technical Information  
Valve Actuators

Customized Solutions  
Ball Valves  
to 21,000 psi (1,500 bar)

# Double Block and Bleed Needle Valves

» Pressures to 22,500 psi (1,550 bar)



## Double Block and Bleed Needle Valves

Maximator series DBBNV Double Block and Bleed Needle Valves with metal to metal seats have a high level of safety and reliability under adverse operating conditions. Double Block and Bleed Needle Valves are three stem manifold valves designed for blocking and bleeding in test and pressure monitoring applications as well as for chemical injection or drain line isolation up to 22,500 psi (**1,550 bar**).

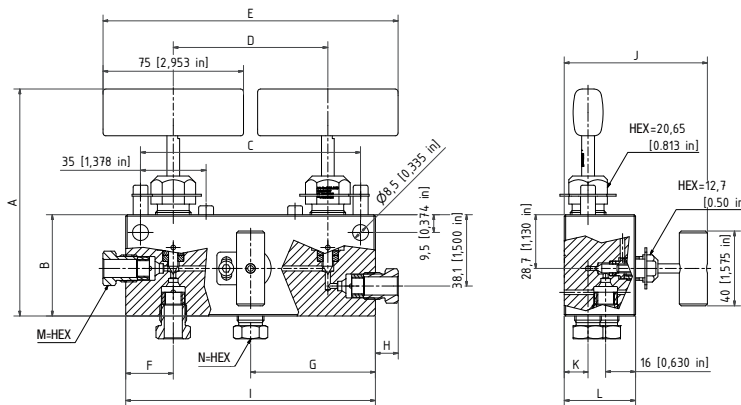
Due to the standard valve packing and Vee stem design, Maximator double block and bleed needle valves are very compact and easy to use. In addition, manifold style valves reduce the number of fittings and space required for installation.

### Ordering Information

Typical catalog number:

**21DBBNV4M4P**

21 DBBNV Valve Series	4M Connection	4P Vent Connection
<b>21 DBBNV</b>	<b>4M – 1/4"</b>	<b>4P – 1/4" NPT</b>
	<b>6M – 3/8"</b>	<b>6P – 3/8" NPT</b>
	<b>9M – 9/16"</b>	<b>8P – 1/2" NPT</b>
	<b>9H – 9/16"</b>	<b>4M – 1/4"</b>



Catalog Number	Stem Type	O.D. Tube in.	Orifice in. (mm)	Dimensions in. (mm)													
				A	B	C	D	E	F	G	H	I	J	K	L	M	N
21DBBNV4M	Vee	1/4	0.11 (2.7)	4.882 (124)	2.13 (54.1)	4.63 (117.6)	3.252 (82.6)	6.205 (157.6)	1.00 (25.4)	2.626 (66.7)	0.378 (9.6)	5.252 (133.4)	3.012 (76.5)	0.50 (12.7)	1.50 (38.1)	0.50 (12.7)	0.50 (12.7)
21DBBNV4M4P	Vee	1/4	0.11 (2.7)	4.882 (124)	2.13 (54.1)	4.63 (117.6)	3.252 (82.6)	6.205 (157.6)	1.00 (25.4)	2.626 (66.7)	0.378 (9.6)	5.252 (133.4)	3.012 (76.5)	0.50 (12.7)	1.50 (38.1)	0.50 (12.7)	
21DBBNV6M	Vee	3/8	0.11 (2.7)	4.776 (121.3)	2.13 (54.1)	4.63 (117.6)	3.252 (82.6)	6.205 (157.6)	1.00 (25.4)	2.626 (66.7)	0.48 (12.2)	5.252 (133.4)	3.012 (76.5)	0.50 (12.7)	1.50 (38.1)	0.625 (15.88)	0.625 (15.88)
21DBBNV6M6P	Vee	3/8	0.11 (2.7)	4.776 (121.3)	2.13 (54.1)	4.63 (117.6)	3.252 (82.6)	6.205 (157.6)	1.00 (25.4)	2.626 (66.7)	0.48 (12.2)	5.252 (133.4)	3.012 (76.5)	0.50 (12.7)	1.50 (38.1)	0.625 (15.88)	
21DBBNV9M	Vee	9/16	0.11 (2.7)	5.646 (143.4)	3.00 (76.2)	4.638 (117.8)	3.26 (82.8)	6.213 (157.8)	1.311 (33.3)	2.941 (74.7)	0.63 (16)	5.882 (149.4)	3.283 (83.4)	0.752 (19.1)	1.772 (45)	0.937 (23.8)	0.937 (23.8)
21DBBNV9M8P	Vee	9/16	0.11 (2.7)	5.646 (143.4)	3.00 (76.2)	4.638 (117.8)	3.26 (82.8)	6.213 (157.8)	1.311 (33.3)	2.941 (74.7)	0.63 (16)	5.882 (149.4)	3.283 (83.4)	0.752 (19.1)	1.772 (45)	0.937 (23.8)	
21DBBNV9H4M	Vee	9/16	0.11 (2.7)	5.646 (143.4)	3.00 (76.2)	4.638 (117.8)	3.26 (82.8)	6.213 (157.8)	1.311 (33.3)	2.941 (74.7)	0.941 (23.9)	5.882 (149.4)	3.283 (83.4)	0.752 (19.1)	1.772 (45)	1.187 (30.16)	0.50 (12.7)

Panel mounting screw thread size 10-24 UNC (screw included).

A - Stem in closed position.

All dimensions are for reference only and are subject to change.

All technical and dimensional information subject to change. All general Terms and Conditions of sale, including limitations of our liability, apply to all products and services sold.



# Medium Pressure Fittings

» Pressures to 22,500 psi (1,550 bar)

## Medium pressure fittings

Maximator medium pressure fittings are designed with the large orifice for use with the 21V series medium pressure valves and medium pressure tubing. All medium pressure fittings have coned and threaded type connections. Mounting holes are standard on all elbows, tees and crosses.



Tubing Size in. (mm)	Gland	Collar	Plug	Tubing Cap
	1/4 (6.35)	21G4M	21C4M	21P4M
3/8 (9.53)	21G6M	21C6M	21P6M	21TC6M
9/16 (14.29)	21G9M	21C9M	21P9M	21TC9M
3/4 (19.05)	21G12M	21C12M	21P12M	21TC12M
1 (25.4)	21G16M	21C16M	21P16M	21TC16M

## Connection Components

All medium pressure fittings are supplied with glands and collars. Refer to the adjacent chart for ordering any of the connection components individually. When using the plug, the collar is not needed.

Fitting Pattern	Catalog Number	Connection Type in.	O.D. Tube (mm)	Orifice in.	Dimensions in. (mm)							Block Thickness
					A	B	C	D	E	F	G	
Elbow												
	21L4M	4MF	1/4	0.106 (2.7)	0.75 (19.1)	1.10 (28)	1.54 (39.1)	0.75 (19.1)	0.49 (12.5)	0.49 (12.5)	0.22 (5.6)	0.63 (16)
	21L6M	6MF	3/8	0.201 (5.1)	1.00 (25.4)	1.38 (35)	2.00 (50.8)	1.00 (25.4)	0.63 (16)	0.63 (16)	0.26 (6.6)	0.79 (20.1)
	21L9M	9MF	9/16	0.307 (7.8)	1.25 (31.8)	1.75 (44.5)	2.50 (63.5)	1.25 (31.8)	0.84 (21.3)	0.84 (21.3)	0.33 (8.4)	1.02 (25.9)
	21L12M	12MF	3/4	0.438 (11.1)	1.50 (38.1)	2.25 (57.2)	3.00 (76)	1.50 (38.1)	1.00 (25.4)	1.00 (25.4)	0.35 (8.9)	1.38 (35)
	21L16M	16MF	1	0.562 (14.3)	2.06 (52.3)	3.00 (76)	4.13 (105)	2.06 (52.3)	1.38 (35)	1.38 (35)	0.53 (13.5)	1.77 (45)
Tee												
	21T4M	4MF	1/4	0.106 (2.7)	0.75 (19.1)	1.10 (28)	1.54 (39.1)	0.75 (19.1)	0.49 (12.5)	0.49 (12.5)	0.22 (5.6)	0.63 (16)
	21T6M	6MF	3/8	0.201 (5.1)	1.00 (25.4)	1.38 (35)	2.00 (50.8)	1.00 (25.4)	0.63 (16)	0.63 (16)	0.26 (6.6)	0.79 (20.1)
	21T9M	9MF	9/16	0.307 (7.8)	1.25 (31.8)	1.75 (44.5)	2.50 (63.5)	1.25 (31.8)	0.84 (21.3)	0.84 (21.3)	0.33 (8.4)	1.02 (25.9)
	21T12M	12MF	3/4	0.438 (11.1)	1.50 (38.1)	2.25 (57.2)	3.00 (76)	1.50 (38.1)	1.00 (25.4)	1.00 (25.4)	0.35 (8.9)	1.38 (35)
	21T16M	16MF	1	0.562 (14.3)	2.06 (52.3)	3.00 (76)	4.13 (105)	2.06 (52.3)	1.38 (35)	1.38 (35)	0.53 (13.5)	1.77 (45)

See page 2 in the Technical Section for pressure/temperature rating chart. All dimensions are for reference only and are subject to change.

All technical and dimensional information subject to change. All general Terms and Conditions of sale, including limitations of our liability, apply to all products and services sold.

Products for Sour Gas Applications  
Pipe Valves & Fittings  
to 15,200 psi (1,050 bar)

Adapters and Couplings  
Medium Pressure  
to 22,500 psi (1,550 bar)

Accessories  
High Pressure  
to 65,000 psi (4,500 bar)

Tools  
Ultra High Pressure  
to 152,000 psi (10,500 bar)

Technical Information  
Valve Actuators

Customized Solutions  
Ball Valves  
to 21,000 psi (1,500 bar)

# Medium Pressure Fittings

» Pressures to 22,500 psi (1,550 bar)

Products for Sour Gas Applications  
Pipe Valves & Fittings  
to 15,200 psi (1,050 bar)

Adapters and Couplings  
Medium Pressure  
to 22,500 psi (1,550 bar)

Accessories  
High Pressure  
to 65,000 psi (4,500 bar)

Tools  
Ultra High Pressure  
to 152,000 psi (10,500 bar)

Technical Information  
Valve Actuators

Customized Solutions  
Ball Valves  
to 21,000 psi (1,500 bar)

Fitting Pattern	Catalog Number	Connection Type	O.D. Tube Size in.	Orifice in. (mm)	Dimensions in. (mm)							Block Thickness
					A	B	C	D	E	F	G	
<b>Cross</b>												
	21X4M	4MF	1/4	0.106 (2.7)	0.77 (19.5)	1.54 (39.1)	1.54 (39.1)	0.77 (19.5)	0.49 (12.5)	0.98 (25)	0.22 (5.6)	0.63 (16)
	21X6M	6MF	3/8	0.201 (5.1)	1.00 (25.4)	2.00 (50.8)	2.00 (50.8)	1.00 (25.4)	0.63 (16)	1.26 (32)	0.26 (6.6)	0.79 (20.1)
	21X9M	9MF	9/16	0.307 (7.8)	1.25 (31.8)	2.50 (63.5)	2.50 (63.5)	1.25 (31.8)	0.84 (21.3)	1.67 (42.6)	0.33 (8.4)	1.02 (25.9)
	21X12M	12MF	3/4	0.438 (11.1)	1.50 (38.1)	3.00 (76)	3.00 (76)	1.50 (38.1)	1.00 (25.4)	2.00 (50.8)	0.35 (8.9)	1.38 (35)
	21X16M	16MF	1	0.562 (14.3)	2.06 (52.3)	4.13 (105)	4.13 (105)	2.06 (52.3)	1.38 (35)	2.76 (70)	0.53 (13.5)	1.77 (45)
<b>Straight Coupling / Union Coupling</b>												
	21F4M	4MF	1/4	0.106 (2.7)	1.62 (41.1)	0.69 (17.5)	Straight Coupling					
	21UF4M						Union Coupling					
	21F6M	6MF	3/8	0.201 (5.1)	1.75 (44.5)	0.88 (22.3)	Straight Coupling					
	21UF6M						Union Coupling					
	21F9M	9MF	9/16	0.307 (7.8)	2.12 (53.8)	1.06 (27)	Straight Coupling					
	21UF9M						Union Coupling					
	21F12M	12MF	3/4	0.438 (11.1)	2.50 (63.5)	1.44 (36.5)	Straight Coupling					
	21UF12M						Union Coupling					
	21F16M	16MF	1	0.562 (14.3)	3.50 (88.9)	2.00 (50.8)	Straight Coupling					
	21UF16M						Union Coupling					
<b>Bulkhead Coupling</b>												
	21BF4M	4MF	1/4	0.106 (2.7)	1.88 (47.8)	1.06 (27)	1.06 (27)	0.81 (20.6)	0.67 (17)			
	21BF6M	6MF	3/8	0.201 (5.1)	2.01 (51)	1.06 (27)	1.06 (27)	0.94 (23.9)	0.39 (9.9)			
	21BF9M	9MF	9/16	0.307 (7.8)	2.38 (60.5)	1.44 (36.5)	1.44 (36.5)	1.12 (28.5)	0.39 (9.9)			
	21BF12M	12MF	3/4	0.438 (11.1)	2.81 (71.4)	1.62 (41.3)	1.62 (41.3)	1.37 (34.8)	0.47 (11.9)			
	21BF16M	16MF	1	0.562 (14.3)	3.54 (89.9)	2.00 (50.8)	2.00 (50.8)	1.68 (42.6)	0.51 (13)			
<b>Manifold Block</b>												
	21MB64M	4MF	1/4	0.106 (2.7)	3.39 (86)	1.54 (39.1)	2.6 (66)	0.22 (5.5)	0.28 (7)	3.11 (79)	0.77 (19.5)	0.63 (16)
	21MB66M	6MF	3/8	0.201 (5.1)	3.39 (86)	2.00 (50.8)	2.38 (60.5)	0.26 (6.5)	0.37 (9.5)	3.01 (76.5)	1.00 (25.5)	0.79 (20.1)
	21MB69M	9MF	9/16	0.307 (7.8)	5.12 (130)	2.50 (63.5)	3.86 (98)	0.33 (8.5)	0.41 (10.5)	4.7 (119.5)	1.25 (31.75)	1.02 (25.9)
	21MB612M	12MF	3/4	0.438 (11.1)	6.50 (165)	3.00 (76)	5.00 (127)	0.35 (9)	0.49 (12.5)	6.00 (152.5)	1.5 (38)	1.38 (35)
	21MB616M	16MF	1	0.562 (14.3)	7.25 (191)	4.13 (105)	5.45 (138.5)	0.53 (13.5)	0.69 (17.5)	6.83 (173.5)	2.07 (52.5)	1.77 (45)

All dimensions are for reference only and are subject to change. See page 2 in the Technical Section for pressure/temperature rating chart. All technical and dimensional information subject to change. All general Terms and Conditions of sale, including limitations of our liability, apply to all products and services sold.

# Anti-Vibration Collet Gland Assembly

» Pressures to 22,500 psi (1,550 bar)

## Anti-vibration collet gland assemblies

Maximator anti-vibration collet gland assemblies are for use in applications where there could be extreme external mechanical vibrations or shock in tubing lines. These collet gland assemblies are interchangeable with the standard medium pressure coned and threaded tube connections.

In a normal coned and threaded tube connection, any external mechanical loading on the tubing lines, valves or fittings would be concentrated on the first thread of the tube. This can cause failure of the tube at this thinner cross-section. The anti-vibration collet gland assembly grips the tube behind the connection, supporting the tube at the full cross-section and straight area, moving the loading away from the threaded area.

The back part of the assembly has a gland nut that, when tightened properly, compresses a split collet on the tube, providing the beneficial gripping action. All anti-vibration collet gland assemblies come with a Molybdenum Disulfide Coating to guard against galling of the stainless components.



Gland Pattern	Catalog Number	Part	O.D. Tubing Size in.	Dimensions in. (mm)		
				A	B (Hex.)	C (Hex.)
	21AVA4M	Complete Assembly	1/4	1.27	0.50	0.62
	21AVB4M	Collet Body		(32.2)	(12.7)	(15.7)
	21AVC4M	Slotted Collet				
	21AVG4M	Gland Nut				
	21AVA6M	Complete Assembly	3/8	1.54	0.62	0.81
	21AVB6M	Collet Body		(39.1)	(15.7)	(20.6)
	21AVC6M	Slotted Collet				
	21AVG6M	Gland Nut				
	21AVA9M	Complete Assembly	9/16	1.82	0.94	0.94
	21AVB9M	Collet Body		(46.2)	(23.9)	(23.9)
	21AVC9M	Slotted Collet				
	21AVG9M	Gland Nut				
21AVA12M	Complete Assembly	3/4	2.01	1.19	1.25	
21AVB12M	Collet Body		(51)	(30.2)	(31.8)	
21AVC12M	Slotted Collet					
21AVG12M	Gland Nut					
21AVA16M	Complete Assembly	1	2.44	1.38	1.50	
21AVB16M	Collet Body		(62)	(35)	(38.1)	
21AVC16M	Slotted Collet					
21AVG16M	Gland Nut					

All dimensions are for reference only and are subject to change.

All technical and dimensional information subject to change. All general Terms and Conditions of sale, including limitations of our liability, apply to all products and services sold.

Products for Sour Gas Applications  
Pipe Valves & Fittings  
to 15,200 psi (1,050 bar)

Adapters and Couplings  
Medium Pressure  
to 22,500 psi (1,550 bar)

Accessories  
High Pressure  
to 65,000 psi (4,500 bar)

Tools  
Ultra High Pressure  
to 152,000 psi (10,500 bar)

Technical Information  
Valve Actuators

Customized Solutions  
Ball Valves  
to 21,000 psi (1,500 bar)



# Check Valves

» Pressures to 22,500 psi (1,550 bar)

## O-Ring Check Valves

Maximator O-Ring Check Valves provide high quality directional flow control and tight shut-off for liquids and gases. All check valves are supplied with glands and collars. These check valves are not to be used as a relief device. The opening pressure of the O-Ring Check Valves is approx. 20 psi (1.5 bar).

### » Materials:

Body, cover, poppet, cover gland: 316 stainless steel

Spring: 300 series stainless steel

O-ring: FKM "A" [-4°F to 392°F(-20°C to 200°C)]



Valve Pattern	Catalog Number	Connection Type	Pressure Rating psi (bar)	Orifice in. (mm)	Rated (Cv)	Dimensions in. (mm)	
						A (Hex.)	B
O-Ring Check Valves							
	210C4M	4MF	22,500 (1,550)	0.106 (2.7)	0.28	0.88 (22.3)	2.91 (73.9)
	210C6M	6MF	22,500 (1,550)	0.201 (5.1)	0.84	1.06 (27)	3.31 (84.1)
	210C9M	9MF	22,500 (1,550)	0.307 (7.8)	2.30	1.44 (36.5)	4.29 (109)
	210C12M	12MF	22,500 (1,550)	0.438 (11.1)	4.70	2.00 (50.8)	5.46 (138.7)
	210C16M	16MF	22,500 (1,550)	0.562 (14.3)	7.40	2.00 (50.8)	6.57 (166.9)

CAUTION: FREQUENT INSPECTIONS of O-Rings are necessary to ensure proper service of the check valve.

O-Rings have shown satisfactory service life in testing, however different service conditions may lead to variations in cycle and shelf life.

All dimensions are for reference only and subject to change.

All technical and dimensional information subject to change. All general Terms and Conditions of sale, including limitations of our liability, apply to all products and services sold.

Products for Sour Gas Applications  
Pipe Valves & Fittings  
to 15,200 psi (1,050 bar)

Adapters and Couplings  
Medium Pressure  
to 22,500 psi (1,550 bar)

Accessories  
High Pressure  
to 65,000 psi (4,500 bar)

Tools  
Ultra High Pressure  
to 152,000 psi (10,500 bar)

Technical Information  
Valve Actuators

Customized Solutions  
Ball Valves  
to 21,000 psi (1,500 bar)

# Check Valves

» Pressures to 22,500 psi (1,550 bar)

## Ball Check Valves

Ball Check Valves prevent reverse flow where bubble tight shut-off is not mandatory. These check valves are designed with a ball cradled floating poppet to assure positive inline seating. This poppet design allows full flow around the ball to minimize pressure drop. Check valves are rated to 660°F (350°C). All check valves are supplied with glands and collars. These check valves are not to be used as a relief device. The opening pressure of the Ball Check Valves is approx. 20 psi (1.5 bar).

### » Materials:

Body, cover, poppet, cover gland: 316L series stainless steel  
Ball and spring: 300 series stainless steel.



Valve Pattern	Catalog Number	Connection Type	Pressure Rating psi (bar)	Orifice in. (mm)	Rated (Cv)	Dimensions in. (mm)	
						A (Hex.)	B
Ball Check Valves							
	21BC4M	4MF	22,500 (1,550)	0.106 (2.7)	0.28	0.88 (22.3)	2.91 (73.9)
	21BC6M	6MF	22,500 (1,550)	0.201 (5.1)	0.84	1.06 (27)	3.31 (84.1)
	21BC9M	9MF	22,500 (1,550)	0.307 (7.8)	2.30	1.44 (36.5)	4.29 (109)
	21BC12M	12MF	22,500 (1,550)	0.438 (11.1)	4.70	2.00 (50.8)	5.46 (138.7)
	21BC16M	16MF	22,500 (1,550)	0.562 (14.3)	7.40	2.00 (50.8)	6.57 (166.9)

All dimensions are for reference only and subject to change.

All technical and dimensional information subject to change. All general Terms and Conditions of sale, including limitations of our liability, apply to all products and services sold.

Products for Sour Gas Applications  
Pipe Valves & Fittings  
to 15,200 psi (1,050 bar)

Adapters and Couplings  
Medium Pressure  
to 22,500 psi (1,550 bar)

Accessories  
High Pressure  
to 65,000 psi (4,500 bar)

Tools  
Ultra High Pressure  
to 152,000 psi (10,500 bar)

Technical Information  
Valve Actuators

Customized Solutions  
Ball Valves  
to 21,000 psi (1,500 bar)

# Line Filters

» Pressures to 22,500 psi (1,550 bar)

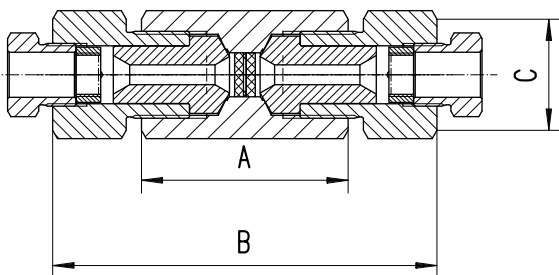
## Dual-Disc Line Filters

Maximator Dual-Disc Line Filters are used to filter process fluids in high pressure systems. This design helps remove the large particles first through a coarse primary disc, which then allows a secondary disc to provide a smaller micron filtration. These filter elements are designed to withstand pressure surges without cracking, flaking, or rupturing. Filter elements come standard in the following micron sizes: 5/8, 8/30, 30/56 (secondary/primary). Filters are rated for temperatures -423°F to 660°F (-252°C to 350°C). All line filters come with glands and collars.

» **Materials:**

Body, cover, cover gland: 316L series stainless steel

Element: 316 stainless steel



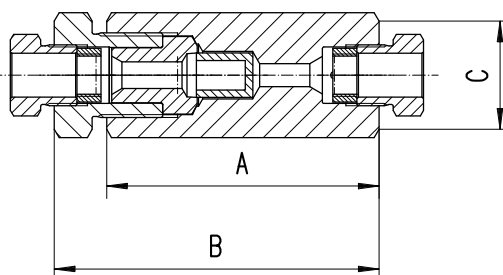
## Cup-Type Line Filters

Maximator Cup-Type Line Filters are used when maximum filtration surface area and a single micron size element is preferred. This design increases the filter area as much as 6 times the area of the disc type filter, and will permit higher flow rates with a lower pressure drop, and longer intervals between element changes. Filter elements come standard in 5, 30, or 56 micron sizes and are easily replaced. Filters are rated for temperatures -423°F to 660°F (-252°C to 350°C). All line filters come with glands and collars.

» **Materials:**

Body, cover, cover gland: 316L series stainless steel

Element: 316 stainless steel



Catalog Number	Pressure Rating psi (bar)	Orifice in. (mm)	Micron Size	Connection Type	Filter Element Area in. <sup>2</sup> (mm) <sup>2</sup>	Dimensions in. (mm)		
						A	B	C (Hex.)
<b>Dual-Disc Line Filters</b>								
21DF9M - 5/8	22,500 (1,550)	0.265 (6.5)	5/8	9MF	0.25 (160)	2.68 (68.1)	4.96 (126)	1.44 (36.5)
21DF9M - 8/30			8/30					
21DF9M - 30/56			30/56					
<b>Cup-Type Line Filters</b>								
21CF4M-5	22,500 (1,550)	0.106 (2.7)	5	4MF	0.82 (530)	2.38 (60.5)	2.87 (72.9)	0.88 (22.3)
21CF4M-30			30					
21CF4M-56			56					
21CF6M-5	22,500 (1,550)	0.201 (5.1)	5	6MF	0.82 (530)	2.83 (71.8)	3.35 (85.1)	1.06 (27)
21CF6M-30			30					
21CF6M-56			56					
21CF9M-5	22,500 (1,550)	0.307 (7.8)	5	9MF	1.55 (1,000)	3.63 (92.2)	4.33 (110)	1.44 (36.5)
21CF9M-30			30					
21CF9M-56			56					
21CF12M-5	22,500 (1,550)	0.438 (11.1)	5	12MF	6.14 (3,960)	5.75 (146)	6.57 (166.9)	2.00 (50.8)
21CF12M-30			30					
21CF12M-56			56					
21CF16M-5	22,500 (1,550)	0.562 (14.3)	5	16MF	6.14 (3,960)	5.75 (146)	6.57 (166.9)	2.00 (50.8)
21CF16M-30			30					
21CF16M-56			56					

It is recommended that all fluids entering a high pressure system be thoroughly cleaned.

Maximator filters are designed to remove small amounts of process particles. Pressure differential should not exceed 1000 psi across the filter elements.

All dimensions for reference only and are subject to change.

All technical and dimensional information subject to change. All general Terms and Conditions of sale, including limitations of our liability, apply to all products and services sold.

Products for Sour Gas Applications  
Pipe Valves & Fittings  
to 15,200 psi (1,050 bar)

Adapters and Couplings  
Medium Pressure  
to 22,500 psi (1,550 bar)

Accessories  
High Pressure  
to 65,000 psi (4,500 bar)

Tools  
Ultra High Pressure  
to 152,000 psi (10,500 bar)

Technical Information  
Valve Actuators

Customized Solutions  
Ball Valves  
to 21,000 psi (1,500 bar)

# Angle Filters

» Pressures to 22,500 psi (1,550 bar)

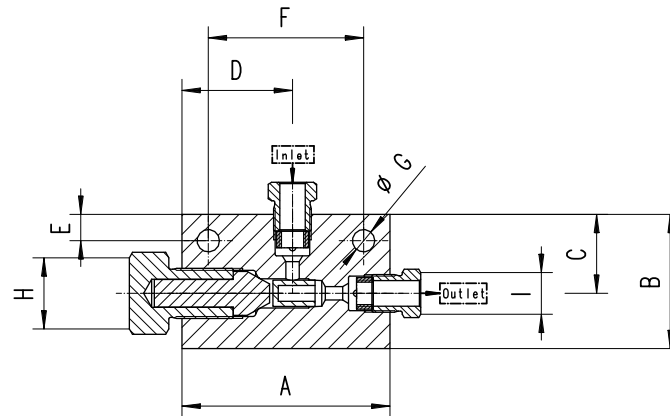
## Angel Filters

Maximator Angle Filters are used to filter gases or liquids in high pressure systems. The filter elements can be easily changed in-situ. The special design allows the exchange of the filter element without the need to first disassemble the filter in front of the tubing. Filter elements are made of sintered material with pore sizes of 5 µm, 30 µm or 56 µm. Filters are rated for temperatures -423°F to 660°F (-252°C to 350°C). All angle filters come with glands and collars.

### » Material:

Body, cover, cover gland: 316L series stainless steel

Element: 316 stainless steel



Catalog Number	Pressure Rating psi (bar)	Orifice in. (mm)	Connection Type	Micron Size	Filter Ele- ment Areas in. <sup>2</sup> (mm <sup>2</sup> )	Dimensions in. (mm)										Block thick- ness
						A	B	C	D	E	F	G	H (Hex.)	I (Hex.)		
Angle Filter																
21AF4M-5	22,500 (1,550)	0.106 (2.7)	4M	5	0.82 (530)	3.11 (79)	2.01 (51)	1.18 (30)	1.65 (42)	0.39 (10)	2.32 (59)	0.34 (8.5)	1.06 (27)	0.50 (12.7)	1.02 (26)	
21AF4M-30				30												
21AF4M-56				56												
21AF6M-5	22,500 (1,550)	0.201 (5.1)	6M	5	0.82 (530)	3.11 (79)	2.01 (51)	1.18 (30)	1.65 (42)	0.39 (10)	2.32 (59)	0.34 (8.5)	1.06 (27)	0.50 (12.7)	1.02 (26)	
21AF6M-30				30												
21AF6M-56				56												
21AF9M-5	22,500 (1,550)	0.307 (7.8)	9M	5	1.55 (1,000)	3.62 (92)	2.64 (67)	1.61 (41)	1.81 (46)	0.51 (13)	2.17 (55)	0.34 (8.5)	1.19 (30.2)	0.94 (23.8)	1.54 (39)	
21AF9M-30				30												
21AF9M-56				56												
21AF12M-5	22,500 (1,550)	0.438 (11.1)	12M	5	6.14 (3,960)	5.71 (145)	3.54 (90)	2.3 (57.2)	2.44 (62)	0.39 (10)	4.92 (125)	0.34 (8.5)	2.00 (50.8)	1.19 (30.2)	2.25 (57.15)	
21AF12M-30				30												
21AF12M-56				56												
21AF16M-5	22,500 (1,550)	0.562 (14.3)	16M	5	6.14 (3,960)	5.71 (145)	3.54 (90)	2.3 (57.2)	2.44 (62)	0.39 (10)	4.92 (125)	0.34 (8.5)	2.00 (50.8)	1.38 (34.9)	2.25 (57.15)	
21AF16M-30				30												
21AF16M-56				56												

It is recommended that all fluids entering a high pressure system be thoroughly cleaned.

Maximator filters are designed to remove small amounts of process particles. Pressure differential should not exceed 1000 psi across the filter elements.

All dimensions for reference only and are subject to change.

All technical and dimensional information subject to change. All general Terms and Conditions of sale, including limitations of our liability, apply to all products and services sold.

Products for Sour  
Gas Applications  
Pipe Valves & Fittings  
to 15,200 psi (1,050 bar)

Adapters and  
Couplings  
Medium Pressure  
to 22,500 psi (1,550 bar)

Accessories  
High Pressure  
to 65,000 psi (4,500 bar)

Tools  
Ultra High Pressure  
to 152,000 psi (10,500 bar)

Technical  
Information  
Valve Actuators

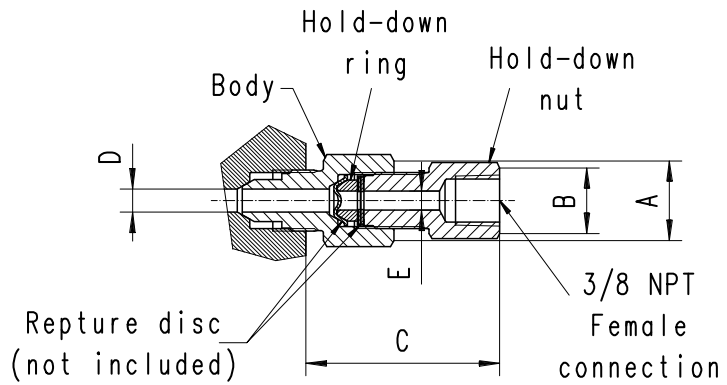
Customized  
Solutions  
Ball Valves  
to 21,000 psi (1,500 bar)

# Safety Head Assembly

» Pressures to 22,500 psi (1,550 bar)

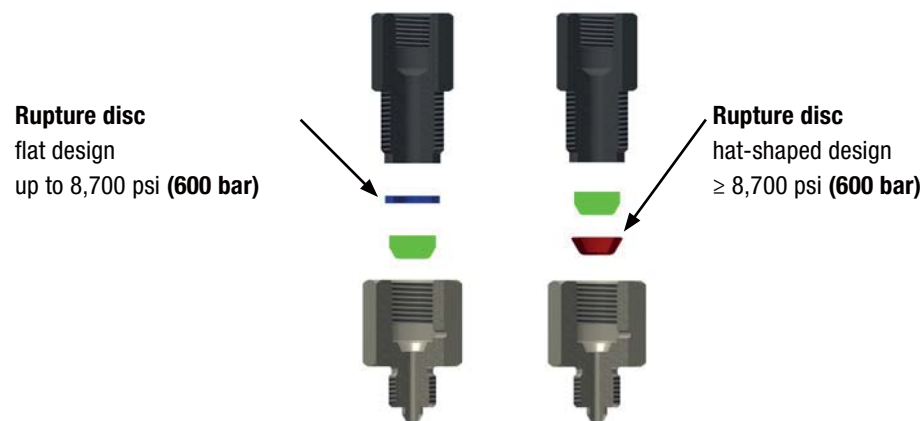
## Safety head assemblies

Maximator safety head assemblies are used to provide over-pressure protection to high pressure systems. These safety head assemblies are to be used with the appropriate 1/4" angular rupture disc listed in the chart below.



Safety Head Assembly Catalog Number without Disc	Fits Connection Type	Pressure Rating psi (bar)	Body Torque ft - lbs. (Nm)	Dimensions in. (mm)				
				A (Hex.)	B (Hex.)	C (LG.)	D (I.D.)	E (I.D.)
21SH4M	4MF	22,500 (1,550)	20 (30)	1.06 (27)	0.88 (22.3)	2.48 (63)	0.109 (2.8)	0.250 (6.3)
21SH6M	6MF	22,500 (1,550)	30 (40)	1.06 (27)	0.88 (22.3)	2.72 (69.1)	0.203 (5.1)	0.250 (6.3)
21SH9M	9MF	22,500 (1,550)	55 (75)	1.06 (27)	0.88 (22.3)	2.51 (63.7)	0.255 (6.5)	0.250 (6.3)
21SH12M	12MF	22,500 (1,550)	90 (120)	1.19 (30.2)	0.88 (22.3)	2.72 (69.1)	0.307 (7.8)	0.250 (6.3)
21SH16M	16MF	22,500 (1,550)	150 (200)	1.44 (36.6)	0.88 (22.3)	2.72 (69.1)	0.307 (7.8)	0.250 (6.3)

All dimensions for reference only and are subject of change



All technical and dimensional information subject to change. All general Terms and Conditions of sale, including limitations of our liability, apply to all products and services sold.

Products for Sour Gas Applications  
Pipe Valves & Fittings  
to 15,200 psi (1,050 bar)

Adapters and Couplings  
Medium Pressure  
to 22,500 psi (1,550 bar)

Accessories  
High Pressure  
to 65,000 psi (4,500 bar)

Tools  
Ultra High Pressure  
to 152,000 psi (10,500 bar)

Technical Information  
Valve Actuators

Customized Solutions  
Ball Valves  
to 21,000 psi (1,500 bar)

# 1/4" Rupture Discs

## 1/4" Rupture discs

1/4" angular and flat seat rupture discs are designed to be used with the safety head assemblies that are shown on page 13. Minimum rupture disc pressure ratings should be at least 110% of system operating pressure. The standard material is stainless steel. The pressure ranges indicated in the table below are at room temperature (72°F). Other materials and pressure ranges are available upon request.

Catalog Number	Pressure range psi (bar)
RD-1000	970 - 1,060 <b>(66.9 - 73.1)</b>
RD-1200	1,164 - 1,272 <b>(80.3 - 87.7)</b>
RD-1500	1,455 - 1,590 <b>(99.7 - 109.7)</b>
RD-1750	1,697 - 1,855 <b>(117 - 127.9)</b>
RD-2000	1,940 - 2,120 <b>(133.8 - 146.2)</b>
RD-2500	2,425 - 2,650 <b>(167.2 - 182.8)</b>
RD-3000	2,910 - 3,180 <b>(200.7 - 219.3)</b>
RD-3500	3,395 - 3,710 <b>(234.1 - 255.9)</b>
RD-4000	3,880 - 4,240 <b>(267.6 - 292.4)</b>
RD-4500	4,365 - 4,770 <b>(301 - 329)</b>
RD-5000	4,850 - 5,300 <b>(334.5 - 365.5)</b>

Catalog Number	Pressure range psi (bar)
RD-5500	5,335 - 5,830 <b>(367.9 - 402.1)</b>
RD-6000	5,820 - 6,360 <b>(401.4 - 438.6)</b>
RD-6500	6,305 - 6,890 <b>(434.8 - 475.2)</b>
RD-7000	6,790 - 7,420 <b>(468.3 - 511.7)</b>
RD-7500	7,275 - 7,950 <b>(501.7 - 548.3)</b>
RD-8000	7,760 - 8,480 <b>(535.2 - 584.8)</b>
RD-8500	8,245 - 9,010 <b>(568.6 - 621.4)</b>
RD-9000	8,730 - 9,540 <b>(602.1 - 657.9)</b>
RD-9500	9,215 - 10,070 <b>(635.5 - 694.5)</b>
RD-10000	9,700 - 10,600 <b>(669 - 731)</b>
RD-11000	10,670 - 11,660 <b>(735.9 - 804.1)</b>

Catalog Number	Pressure range psi (bar)
RD-12000	11,640 - 12,720 <b>(802.8 - 877.2)</b>
RD-13000	12,610 - 13,780 <b>(869.7 - 950.3)</b>
RD-14000	13,580 - 14,840 <b>(936.6 - 1023.4)</b>
RD-15000	14,550 - 15,900 <b>(1,003.4 - 1,096.6)</b>
RD-16000	15,520 - 16,960 <b>(1,070.3 - 1,169.7)</b>
RD-17000	16,490 - 18,020 <b>(1,137.2 - 1,242.8)</b>
RD-18000	17,460 - 19,080 <b>(1,204.1 - 1,315.9)</b>
RD-19000	18,430 - 20,140 <b>(1,271 - 1,389)</b>
RD-20000	19,400 - 21,200 <b>(1,337.9 - 1,462.1)</b>
RD-21000	20,370 - 22,260 <b>(1,404.8 - 1,535.2)</b>
RD-22000	21,340 - 23,320 <b>(1,471.7 - 1,608.3)</b>



Rupture Discs are individually packed and marked type plate.



# Relief Valves

» Pressures to 22,500 psi (1,550 bar)

## Relief Valves

Maximator Medium Pressure Relief Valves with metal seat provide reliable venting of liquids for set pressure from 4,350 psi (300 bar) up to 22,500 psi (1,550 bar). The relief valves are intended to be used as an adjustable pressure relief device actuated by inlet static pressure having a gradual lift generally proportional to the increase in pressure over opening pressure.

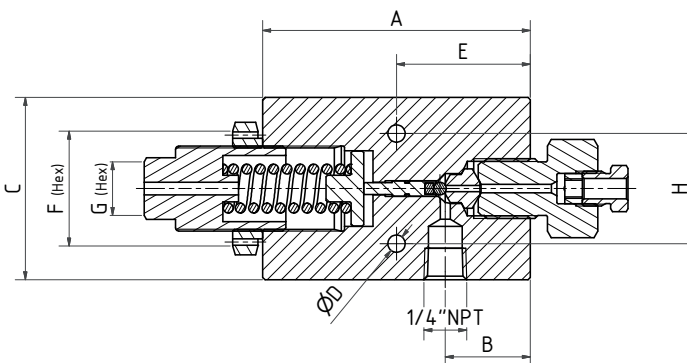
All relief valves are ATEX (CE Ex II 2D/2G IIC c TX) approved, have a 1/4" NPT relief connection, are equipped with a replaceable seat and come with glands and collars.

### Materials:

Body, double cone: 316 stainless steel

Spring: 300 series stainless steel

O-ring: FKM "A" [-4°F to 392°F (-20°C to 200°C)]



Catalog Number	Pressure Rating psi (bar)	Pressure Range min./max. psi (bar)	Orifice in. (mm)	Connection Type	Dimensions in. (mm)								Block thick- ness
					A	B	C	D	E	F (Hex.)	G (Hex.)	H	
17RV4M	17,000 (1,200)	4,350 / 17,000 (300 / 1,200)	0,08 (2.0)	4MF	3.35 (85)	1.06 (27)	2.64 (67)	0.22 (5.5)	1.67 (42.5)	1.44 (36.5)	0.67 (17)	1.38 (35)	1.54 (39)
17RV6M	17,000 (1,200)	4,350 / 17,000 (300 / 1,200)	0,08 (2.0)	6MF	3.35 (85)	1.06 (27)	2.64 (67)	0.22 (5.5)	1.67 (42.5)	1.44 (36.5)	0.67 (17)	1.38 (35)	1.54 (39)
21RV4M	22,500 (1,550)	14,500 / 22,500 (1,000 / 1,550)	0,08 (2.0)	4MF	3.35 (85)	1.06 (27)	2.64 (67)	0.22 (5.5)	1.67 (42.5)	1.44 (36.5)	0.67 (17)	1.38 (35)	1.54 (39)
21RV6M	22,500 (1,550)	14,500 / 22,500 (1,000 / 1,550)	0,08 (2.0)	6MF	3.35 (85)	1.06 (27)	2.64 (67)	0.22 (5.5)	1.67 (42.5)	1.44 (36.5)	0.67 (17)	1.38 (35)	1.54 (39)

All dimensions for reference only and are subject of change

All technical and dimensional information subject to change. All general Terms and Conditions of sale, including limitations of our liability, apply to all products and services sold.

Products for Sour  
Gas Applications  
Pipe Valves & Fittings  
to 15,200 psi (1,050 bar)

Adapters and  
Couplings  
Medium Pressure  
to 22,500 psi (1,550 bar)

Accessories  
High Pressure  
to 65,000 psi (4,500 bar)

Tools  
Ultra High Pressure  
to 152,000 psi (10,500 bar)

Technical  
Information  
Valve Actuators

Customized  
Solutions  
Ball Valves  
to 21,000 psi (1,500 bar)

# Medium Pressure Tubing

» Pressures to 22,500 psi (1,550 bar)

## Medium Pressure Tubing

Maximator offers a line of cold drawn thick wall tubing, with flow areas to compliment the large orifice medium pressure valves and fittings. This tubing is made under strict manufacturing and quality control standards and inspections, with dimensional tolerances to match the requirements of the medium pressure coned and threaded connections.

The standard materials are 304 and 316 stainless steels. Other materials may be provided on special request, depending on the specific material, diameters and lengths.



## Tubing Tolerances

Normal Tubing Size in. (mm)	Tolerance O.D in. (mm)
1/4 (6.35)	0.248 / 0.243 (6.299 / 6.172)
3/8 (9.53)	0.370 / 0.365 (9.398 / 9.271)
9/16 (14.29)	0.557 / 0.552 (14.147 / 14.021)
3/4 (19.05)	0.745 / 0.740 (18.923 / 18.796)
1 (25.4)	0.995 / 0.990 (25.273 / 25.174)

Catalog Number	Tube Material	Fits Connection Type	Tube Size in. (mm)		Working Pressure psi (bar)	-325°F to 100°F (-198°C to 37°C)	200°F (93°C)	400°F (204°C)	600°F (315°C)	800°F (426°C)
			O.D.	I.D.						
21TU4M-316	316SS	4MF	1/4	0.109	22,500 (1,550)	18,900 (1,300)	17,430 (1,200)	15,960 (1,100)	15,120 (1,040)	
21TU4M-304	304SS			(2.77)						
21TU6M-316	316SS	6MF	3/8	0.203	22,500 (1,550)	18,900 (1,300)	17,430 (1,200)	15,960 (1,100)	15,120 (1,040)	
21TU6M-304	304SS			(5.17)						
21TU9M-316	316SS	9MF	9/16	0.312	22,500 (1,550)	18,900 (1,300)	17,430 (1,200)	15,960 (1,100)	15,120 (1,040)	
21TU9M-304	304SS			(7.93)						
15TU9M-316	316SS	9MF	9/16	0.359	15,200 (1,050)	13,680 (940)	12,616 (870)	11,552 (790)	10,944 (750)	
15TU9M-304	304SS			(9.12)						
21TU12M-316	316SS	12M	3/4	0.438	22,500 (1,550)	18,900 (1,300)	17,430 (1,200)	15,960 (1,100)	15,120 (1,040)	
15TU12M-316	316SS			(11.13)						
				0.516	15,200 (1,050)	13,680 (940)	12,616 (870)	11,552 (790)	10,944 (750)	
21TU16M-316	316SS	16MF	1	0.562	22,500 (1,550)	18,900 (1,300)	17,430 (1,200)	15,960 (1,100)	15,120 (1,040)	
15TU16M-316	316SS			(14.27)						
				0.688	15,200 (1,050)	13,680 (940)	12,616 (870)	11,552 (790)	10,944 (750)	

All dimensions for reference only and are subject of change

All technical and dimensional information subject to change. All general Terms and Conditions of sale, including limitations of our liability, apply to all products and services sold.

Products for Sour Gas Applications  
Pipe Valves & Fittings  
to 15,200 psi (1,050 bar)

Adapters and Couplings  
Medium Pressure  
to 22,500 psi (1,550 bar)

Accessories  
High Pressure  
to 65,000 psi (4,500 bar)

Tools  
Ultra High Pressure  
to 152,000 psi (10,500 bar)

Technical Information  
Valve Actuators

Customized Solutions  
Ball Valves  
to 21,000 psi (1,500 bar)



# Coned and Threaded Nipples

» Pressures to 22,500 psi (1,550 bar)

## Coned and threaded nipples

Maximator offers a line of coned and threaded medium pressure tube nipples in a variety of lengths for all standard tube sizes. The coned and threaded medium pressure tube nipples are available in 316 stainless steel.

They are also available in the 15,200 psi (1,050 bar) or 22,500 psi (1,550 bar) versions for the 9/16", 3/4" and 1" OD tube sizes. See chart below for ordering information.

Special length coned and threaded nipples are available upon request. Consult Maximator for availability and price



Catalog Numbers are 316 Stainless Steel material							Fits Con- nection Type	Tube Size in. (mm)		Working Pressure at 100°F psi (bar)
2.75" (69.85) Length	3" (76.2) Length	4" (101.6) Length	6" (152.4) Length	8" (203.2) Length	10" (254) Length	12" (304.8) Length		O.D.	I.D.	
21N4M-2.75-316	21N4M-3-316	21N4M-4-316	21N4M-6-316	21N4M-8-316	21N4M-10-316	21N4M-12-316	4MF	1/4	0.109 <b>(2.77)</b>	22,500 <b>(1,550)</b>
	21N6M-3-316	21N6M-4-316	21N6M-6-316	21N6M-8-316	21N6M-10-316	21N6M-12-316	6MF	3/8	0.203 <b>(5.17)</b>	22,500 <b>(1,550)</b>
		21N9M-4-316	21N9M-6-316	21N9M-8-316	21N9M-10-316	21N9M-12-316	9MF	9/16	0.312 <b>(7.93)</b>	22,500 <b>(1,550)</b>
		15N9M-4-316	15N9M-6-316	15N9M-8-316	15N9M-10-316	15N9M-12-316	9MF	9/16	0.359 <b>(9.12)</b>	15,200 <b>(1,050)</b>
			21N12M-6-316	21N12M-8-316	21N12M-10-316	21N12M-12-316	12MF	3/4	0.438 <b>(11.13)</b>	22,500 <b>(1,550)</b>
			15N12M-6-316	15N12M-8-316	15N12M-10-316	15N12M-12-316	12MF	3/4	0.516 <b>(13.11)</b>	15,200 <b>(1,050)</b>
			21N16M-6-316	21N16M-8-316	21N16M-10-316	21N16M-12-316	16MF	1	0.562 <b>(14.27)</b>	22,500 <b>(1,550)</b>
			15N16M-6-316	15N16M-8-316	15N16M-10-316	15N16M-12-316	16MF	1	0.688 <b>(17.48)</b>	15,200 <b>(1,050)</b>

Standard nipples are not supplied with glands and collars, see Fittings on page 6 for these components. See adjacent Tubing page 16, for pressure/temperature rating chart.

All dimensions are for reference only and subject to change.

All technical and dimensional information subject to change. All general Terms and Conditions of sale, including limitations of our liability, apply to all products and services sold.

Products for Sour  
Gas Applications  
Pipe Valves & Fittings  
to 15,200 psi (1,050 bar)

Adapters and  
Couplings  
Medium Pressure  
to 22,500 psi (1,550 bar)

Accessories  
High Pressure  
to 65,000 psi (4,500 bar)

Tools  
Ultra High Pressure  
to 152,000 psi (10,500 bar)

Technical  
Information  
Valve Actuators

Customized  
Solutions  
Ball Valves  
to 21,000 psi (1,500 bar)