

SHEAR WEB PRECISION (SWP) SERIES LOAD CELLS

FEATURES

- High Accuracy Version of SW Series
- Smaller Guaranteed Maximum Off-Center Load & Moment Error than SW Series
- Static Error Band .02-.04%
- Low Creep
- Low Sensitivity to Magnetic Fields
- Barometric Pressure Compensation
- Temperature Compensated
- 5pt Tension & Compression Calibration
- Proprietary Modulus Compensated Strain Gages



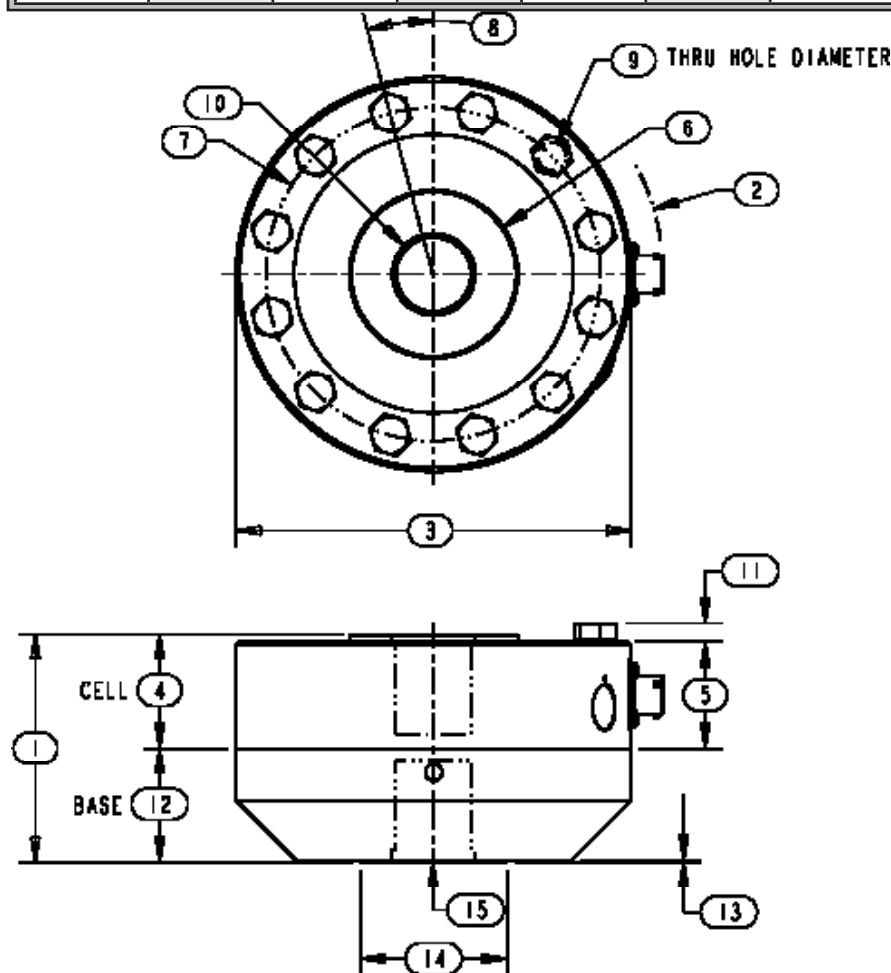
SPECIFICATIONS

Model		SWP10	SWP10	SWP20	SWP22	SWP30
Capacity	U.S. lbf.	300, 500, 1K, 2K	5K, 10K	25K, 50K	60K	100K
PARAMETERS	Metric kN	1.5, 2.5, 5, 10	25, 50	100, 250	270	300, 500
ACCURACY						
Static Error Band, % Rated Output		+/-0.020	+/-0.025	+/-0.035	+/-0.040	+/-0.040
Nonlinearity, % Rated Output		+/-0.030	+/-0.030	+/-0.030	+/-0.030	+/-0.030
Hysteresis, % Rated Output		+/-0.020	+/-0.040	+/-0.045	+/-0.040	+/-0.040
Nonrepeatability, % Rated Output		+/-0.010	+/-0.010	+/-0.010	+/-0.010	+/-0.010
Creep, % in 20 minutes		+/-0.025	+/-0.025	+/-0.025	+/-0.025	+/-0.025
Off-Center Load Sensitivity, %/inch		+/-0.100	+/-0.100	+/-0.100	+/-0.100	+/-0.100
Side Load Sensitivity, %		+/-0.100	+/-0.100	+/-0.100	+/-0.100	+/-0.100
Zero Balance, % Rated Output		+/-1.0	+/-1.0	+/-1.0	+/-1.0	+/-1.0
TEMPERATURE						
Range, Compensated, °F		+15 to +115	+15 to +115	+15 to +115	+15 to +115	+15 to +115
Range, Compensated, °C		-10 to +45	-10 to +45	-10 to +45	-10 to +45	-10 to +45
Range, Operating, °F		-65 to +200	-65 to +200	-65 to +200	-65 to +200	-65 to +200
Range, Operating, °C		-55 to +90	-55 to +90	-55 to +90	-55 to +90	-55 to +90
Effect on Sensitivity, % Rdg/ °F		+/-0.0008	+/-0.0008	+/-0.0008	+/-0.0008	+/-0.0008
Effect on Sensitivity, % Rdg/ °C		+/-0.0015	+/-0.0015	+/-0.0015	+/-0.0015	+/-0.0015
Effect on Zero, % Rated Output/ °F		+/-0.0008	+/-0.0008	+/-0.0008	+/-0.0008	+/-0.0008
Effect on Zero, % Rated Output/ °C		+/-0.0015	+/-0.0015	+/-0.0015	+/-0.0015	+/-0.0015
ELECTRICAL						
Rated Output, mV/V, Nominal		2	4	4	4	4
Excitation Voltage, VDC Maximum		20	20	20	20	20
Input Resistance, Ohms		350	350	350	350	350
Output Resistance, Ohms		350	350	350	350	350
Insulation Resistance, Megohm		5000	5000	5000	5000	5000
Bayonet Connector		PT02E-10-6P (MS3112E-10-6P)				
MECHANICAL						
Safe Overload Range, % Rated Capacity		+/-150	+/-150	+/-150	+/-150	+/-150
Weight lb		1.0	2.9	9.1	13.5	23.5
Weight kg		0.5	1.3	4.1	6.1	10.7
Weight w/base lb		2.5	6.5	21.5	27.5	52.5
Weight w/base kg		1.1	3.0	9.8	12.5	23.8
Flexure Material		Aluminum	Steel	Steel	Steel	Steel

SHEAR WEB PRECISION (SWP) SERIES LOAD CELLS

DIMENSIONS

Model	SWP10	SW10M	SWP10	SWP10M	SWP20	SWP20M	SWP22	SWP22M	SWP30	SWP30M
Capacity	300, 500, 1K, 2K lbf	1.5, 2.5, 5, 10 kN	5K, 10K lbf	25, 50 kN	25K, 50K lbf	100, 250 kN	60K lbf	270kN	100K lbf	300, 500 kN
Dimensions	inch	mm	inch	mm	inch	mm	inch	mm	inch	mm
1.	2.51	63.5	2.51	63.5	3.51	88.9	4.50	114.3	4.50	114.3
2.	R 2.53	R 64.3	R 2.53	R 64.3	R 3.50	R 88.9	R 3.50	R 88.9	R 4.50	R 114.3
3.	4.12	104.8	4.12	104.8	6.06	154.0	6.06	154.0	8.00	203.2
4.	1.38	34.9	1.38	34.9	1.75	44.5	2.25	57.2	2.50	63.5
5.	1.25	31.8	1.25	31.8	1.63	41.3	2.13	54.1	2.25	57.2
6.	1.29	32.8	1.29	32.8	2.34 25K 2.58 50K	59.4 100kN 65.6 250kN	2.58	65.6	3.76	95.6
7.	3.50	88.9	3.50	88.9	5.13	130.3	5.13	130.3	6.50	165.1
8.	22.5°	22.5°	22.5°	22.5°	15°	15°	15°	15°	11.25°	11.25°
9.	.28 8 Places	7.1 8 Places	.28 8 Places	7.1 8 Places	.41 12 Places	10.3 12 Places	.47 12 Places	11.9 12 Places	.53 16 Places	13.5 16 Places
10.	1/2-20 1.12 Deep	M12 x 1.25 28.5 Deep	5/8 - 18 1.12 Deep	M16 x 2 28.5 Deep.	1 1/4 - 12 1.50 Deep	M33 x 2 38.1 Deep	1 1/2 - 12 2.0 Deep	M36 x 2 50.8 Deep	1 3/4-12 2.20 Deep	M42 x 2 55.9 Deep
11.	0.18	4.7	0.18	4.7	0.29	7.5	0.31	7.9	.40	10.2
12.	1.13	28.6	1.13	28.6	1.75	44.5	2.25	57.2	2.00	50.8
13.	0.03	0.8	0.03	0.8	0.03	0.8	0.03	0.8	0.03	0.8
14.	1.25	31.8	1.25	31.8	2.25	57.2	3.00	76.2	3.00	76.2
15.	1/2-20 .88 Deep	M12 x 1.25 22.4 Deep	5/8 - 18 .88 Deep	M16 x 2 22.4 Deep	1 1/4 - 12 1.50 Deep	M33 x 2 38.1 Deep	1 1/2 - 12 2.00 Deep	M36 x 2 50.8 Deep	1 3/4-12 1.75 Deep	M42 x 2 44.5 Deep



OPTIONS

- Additional bridges
- Output adjustment to standard
- Compression overload protection
- Integral cable
- Custom connectors
- Connector Protectors
- Base

ACCESSORIES

- Mating connector
- Loading fixtures
- Interconnect cable
- Shunt calibration resistor
- Instrumentation