

# 2202 ROD END LOAD CELL

## FEATURES

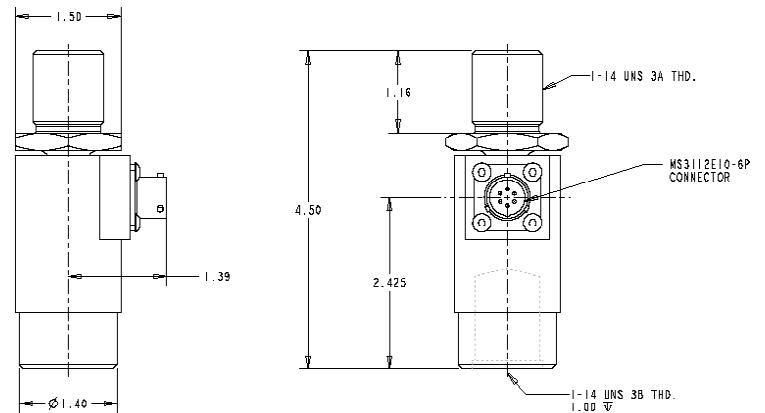
- Designed to attach directly on Hydraulic Cylinders
- High Capacity vs. Size
- Low Deflection
- Stable and Accurate
- 5pt Tension & Compression Calibration
- Proprietary Modulus Compensated Strain Gages



## SPECIFICATIONS

Model	2202
Capacity	U.S. lbf. 5K, 10K, 15K, 20K, 25K
<b>PARAMETERS</b>	
<b>ACCURACY</b>	
Static Error Band, % Rated Output	+/-0.250
Nonlinearity, % Rated Output	+/-0.250
Hysteresis, % Rated Output	+/-0.150
Nonrepeatability, % Rated Output	+/-0.050
Zero Balance, % Rated Output	+/-1.0
<b>TEMPERATURE</b>	
Range, Compensated, °F	+70 to +170
Range, Compensated, °C	+21 to +77
Range, Operating, °F	-65 to +200
Range, Operating, °C	-55 to +90
Effect on Sensitivity, % Rdg/ °F	+/-0.0020
Effect on Sensitivity, % Rdg/ °C	+/-0.0036
Effect on Zero, % Rated Output/ °F	+/-0.0020
Effect on Zero, % Rated Output/ °C	+/-0.0036
<b>ELECTRICAL</b>	
Rated Output, mV/V, Nominal	2
Excitation Voltage, VDC Recommended/Max	10/15
Input Resistance, Ohms	350
Output Resistance, Ohms	350
Insulation Resistance, Megohm	5000
Bayonet Connector	PT02E-10-6P (MS3112E-10-6P)
<b>MECHANICAL</b>	
Safe Overload Range, % Rated Capacity	+/- 150
Weight lb	1.2
Flexure Material	Stainless Steel

## DIMENSIONS



## OPTIONS

- Additional bridges
- Output adjustment to standard
- Integral cable
- Custom connectors

## ACCESSORIES

- Mating connector
- Loading fixtures
- Interconnect cable
- Shunt calibration resistor
- Instrumentation