

AXIAL FORCE AND MOMENT (SW-XYZ) SERIES

FEATURES

- Measure Z-Axis Force, X- and Y-Axis Moment
- High Accuracy Force Measurement
- Proprietary Modulus Compensated Strain Gages



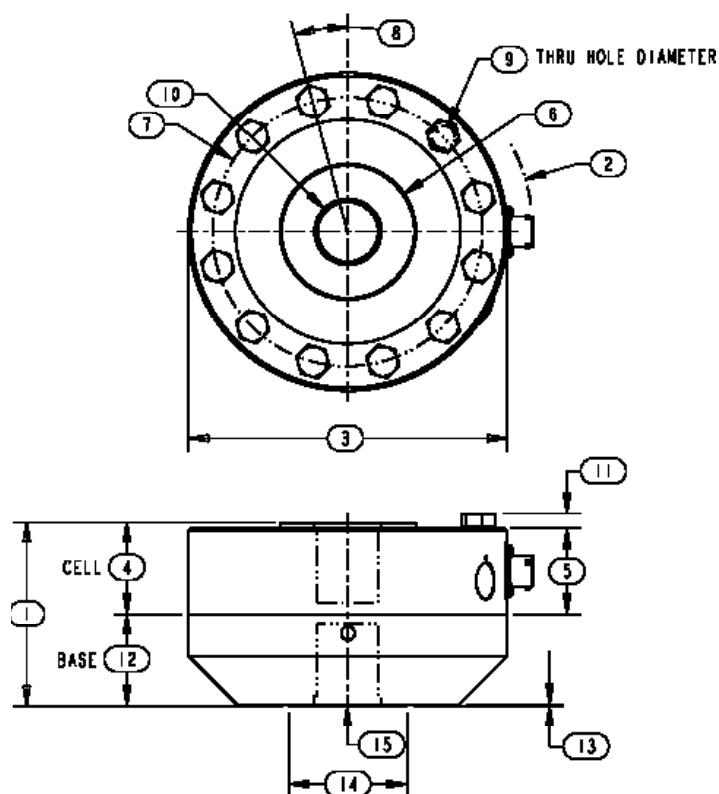
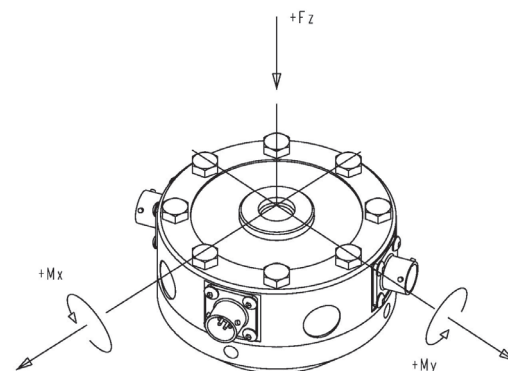
SPECIFICATIONS

Model	SW10-XYZ		SW10-XYZ		SW20-XYZ		SW30-XYZ	
	Capacity	U.S. lbf.	500/200, 1K/400, 2K/800,	5K/1K, 10K/2K	25K/10K, 50K/20K	100K/50K	100K/50K	100K/50K
PARAMETERS	Force-lbf	Moment- in-lbf	Force-lbf	Moment- in-lbf	Force-lbf	Moment- in-lbf	Force-lbf	Moment- in-lbf
ACCURACY								
Static Error Band, % Rated Output	+/-0.040	+/-1.0	+/-0.040	+/-1.0	+/-0.050	+/-1.0	+/-0.050	+/-1.0
Nonlinearity, % Rated Output	+/-0.030	+/-1.0	+/-0.030	+/-1.0	+/-0.050	+/-1.0	+/-0.050	+/-1.0
Hysteresis, % Rated Output	+/-0.040	+/-0.10	+/-0.040	+/-0.10	+/-0.050	+/-0.10	+/-0.050	+/-0.10
Nonrepeatability, % Rated Output	+/-0.010	+/-0.050	+/-0.010	+/-0.050	+/-0.010	+/-0.050	+/-0.010	+/-0.050
Creep, % in 20 minutes	+/-0.025	+/-0.025	+/-0.025	+/-0.025	+/-0.025	+/-0.025	+/-0.025	+/-0.025
Off-Center Load Sensitivity, %/inch	+/-0.250	+/-1.0	+/-0.250	+/-1.0	+/-0.250	+/-1.0	+/-0.250	+/-1.0
Side Load Sensitivity, %	+/-0.250	+/-1.0	+/-0.250	+/-1.0	+/-0.250	+/-1.0	+/-0.250	+/-1.0
Zero Balance, % Rated Output	+/-1.0	+/-1.0	+/-1.0	+/-1.0	+/-1.0	+/-1.0	+/-1.0	+/-1.0
TEMPERATURE								
Range, Compensated, °F	+15 to +115	+15 to +115	+15 to +115	+15 to +115	+15 to +115	+15 to +115	+15 to +115	+15 to +115
Range, Compensated, °C	-10 to +45	-10 to +45	-10 to +45	-10 to +45	-10 to +45	-10 to +45	-10 to +45	-10 to +45
Range, Operating, °F	-65 to +200	-65 to +200	-65 to +200	-65 to +200	-65 to +200	-65 to +200	-65 to +200	-65 to +200
Range, Operating, °C	-55 to +90	-55 to +90	-55 to +90	-55 to +90	-55 to +90	-55 to +90	-55 to +90	-55 to +90
Effect on Sensitivity, % Rdg/ °F	+/-0.080	+/-0.080	+/-0.080	+/-0.080	+/-0.080	+/-0.080	+/-0.080	+/-0.080
Effect on Sensitivity, % Rdg/ °C	+/-0.150	+/-0.150	+/-0.150	+/-0.150	+/-0.150	+/-0.150	+/-0.150	+/-0.150
Effect on Zero, % Rated Output/ °F	+/-0.150	+/-0.150	+/-0.150	+/-0.150	+/-0.150	+/-0.150	+/-0.150	+/-0.150
Effect on Zero, % Rated Output/ °C	+/-0.270	+/-0.270	+/-0.270	+/-0.270	+/-0.270	+/-0.270	+/-0.270	+/-0.270
ELECTRICAL								
Rated Output, mV/V, Nominal	2	1.5	4	1.5	4	1.5	4	1.5
Excitation Voltage, VDC Maximum	20	20	20	20	20	20	20	20
Input Resistance, Ohms	350	350	350	350	350	350	350	350
Output Resistance, Ohms	350	350	350	350	350	350	350	350
Insulation Resistance, Megohm	5000	5000	5000	5000	5000	5000	5000	5000
Bayonet Connector	PT02E-10-6P (MS3112E-10-6P)							
MECHANICAL								
Safe Overload Range, % Rated Capacity	+/-150	+/-150	+/-150	+/-150	+/-150	+/-150	+/-150	+/-150
Weight lb	1.0	1.0	1.0	1.0	9.1	9.1	23.5	23.5
Weight kg	0.45	0.45	0.45	0.45	4.13	4.13	10.66	10.66
Weight w/base lb	2.5	2.5	2.5	2.5	21.5	21.5	52.5	52.5
Weight w/base kg	1.13	1.13	1.13	1.13	9.75	9.75	23.81	23.81
Flexure Material	Aluminum		Steel		Steel		Steel	

AXIAL FORCE AND MOMENT (SW-XYZ) SERIES

DIMENSIONS

Model	SW10-XYZ	SW10-XYZ	SW20-XYZ	SW30-XYZ
Capacity	500/200, 1K/400, 2K/800	5K/1K, 10K/2K	25K/10K, 50K/20K	100K/50K
Dimensions	inch	inch	inch	inch
1.	2.51	2.51	3.51	4.50
2.	R 2.53	R 2.53	R 3.50	R 4.50
3.	4.12	4.12	6.06	8.00
4.	1.38	1.38	1.75	2.50
5.	1.25	1.25	1.63	2.25
6.	1.29	1.29	2.34 25K/10K 2.58 50K/20K	3.76
7.	3.50	3.50	5.13	6.50
8.	22.5°	22.5°	15°	11.25°
9.	.28 8 Places	.28 8 Places	.41 12 Places	.53 16 Places
10.	1/2-20 1.12 Deep	5/8-18 1.12 Deep	1 1/4 - 12 1.50 Deep	1 3/4-12 2.20 Deep
11.	0.18	0.18	0.29	.40
12.	1.13	1.13	1.75	2.00
13.	0.03	0.03	0.03	0.03
14.	1.25	1.25	2.25	3.00
15.	1/2-20 .88 Deep	5/8-18 .88 Deep	1 1/4 - 12 1.50 Deep	1 3/4-12 1.75 Deep



OPTIONS

- Additional bridges
- Output adjustment to standard
- Compression overload protection
- Integral cable
- Custom connectors
- Connector Protectors
- Base

ACCESSORIES

- Mating connector
- Loading fixtures
- Interconnect cable
- Shunt calibration resistor
- Instrumentation