

Pipe Valves, Fittings and Nipples

» Pressures to 15,200 psi (1,050 bar)



MAXIMATOR has been designing and manufacturing high pressure equipment for more than thirty years and has a worldwide reputation for quality and reliability, backed by one of the best service organizations in the industry.

Pipe Valves, Fittings and Nipple feature:

- Rising stem design.
- 316 L (1.4404) wetted parts and 17-4 PH Stem for excellent corrosion resistance.
- Metal-to-metal seating achieves bubble-tight shut-off, longer stem and seat life, greater durability for repeated open and close cycles.
- PTFE and carbon packing with metal back-up rings offers reliable stem to body sealing.
- Non-rotating stem prevents stem to seat galling.
- Stem sleeve and packing gland materials have been selected to achieve optimum thread cycle life and reduced handle torque. All stem sleeve threads are rolled, assuring smooth operation.
- Two different valve body patterns, with choice of vee or regulating type stem tip.

MAXIMATOR offers a complete line of pipe fittings, pipe hex nipples, pipe check valves and pipe line filters. All pipe valves use the NPT and BSP connection, fittings use the NPT connection.

Note: When selecting multiple items, the pressure rating would be that of the lowest rated component.

| Index | Page: |
|--------------------------|-------|
| Pipe Valves | 2 – 3 |
| Pipe Fittings | 4 – 7 |
| Pipe Hex Nipples | 8 |
| Pipe O-Ring Check Valves | 9 |
| Pipe Ball Check Valves | 10 |
| Pipe Line Filters | 11 |

Products for Sour Gas Applications
Pipe Valves & Fittings
to 15,200 psi (1,050 bar)

Adapters and Couplings
Medium Pressure
to 22,500 psi (1,550 bar)

Accessories
High Pressure
to 65,000 psi (4,500 bar)

Tools
Ultra High Pressure
to 152,000 psi (10,500 bar)

Technical Information
Valve Actuators

Customized Solutions
Ball Valves
to 21,000 psi (1,500 bar)

Pipe Valves

» Pressures to 15,200 psi (1,050 bar)



Ordering Information
Typical catalog number:
15V4B071

Pipe valves

Maximator Pipe valves with metal to metal seats have a high level of safety and reliability under adverse operating conditions. These valves may be used both with gases and liquids.

Traceability is ensured through extensively documented data (batch number, maximum pressure, material number, type designation).

| 15 V Valve Series | 4B Thread Size | 07 Stem Type | 1 Body Pattern | Options |
|-------------------|-----------------------|---|-----------------------------|--|
| 15 V | 4B – 1/4" BSP | 07 – non-rotating VEE stem | 1 – two-way straight | Extreme temperature option, see information below. |
| | 4P – 1/4" NPT | 08 – non-rotating REGULATING stem* | 2 – two-way angle | |
| | 6B – 3/8" BSP | | | |
| | 6P – 3/8" NPT | | | |
| | 8B – 1/2" BSP | | | |
| | 8P – 1/2" NPT | | | |
| | 12B – 3/4" BSP | | | |
| | 12P – 3/4" NPT | | | |
| | 16B – 1" BSP | | | |
| | 16P – 1" NPT | | | |

Options for Pipe Valves

Special Designs for Extreme Temperatures

Standard valves are supplied with Teflon / Carbon packing and may be operated to 450°F (230°C). High temperature packing and / or extended stuffing box are available for service from -423°F to 1200°F (-252°C to 650°C) by adding the following suffixes to catalog order number.

- **TG** – standard valve with teflon glass packing to 600°F (315°C).

- **GY** – standard valve with graphite braided yarn packing to 800°F (425°C).
- **HT** – extended stuffing box valve with graphite braided yarn packing to 1200°F (650°C).
- **B** – standard valve with cryogenic trim materials and Teflon packing to -100°F (-73°C).
- **LT** – extended stuffing box valve with teflon packing and cryogenic trim materials to -423°F (-252°C).

| O.D. Size in. | Connec- tion Type | Orifice Size in. (mm) | Rated Cv** | Pressure Rating @ R.T. psi (bar)*** |
|---------------|-------------------|-----------------------|------------|-------------------------------------|
| 1/4 | 4B/4P | 0.201 (5.1) | 0.75 | 15,200 (1,050) |
| 3/8 | 6B/6P | 0.312 (7.9) | 1.30 | 15,200 (1,050) |
| 1/2 | 8B/8P | 0.312 (7.9) | 1.30 | 15,200 (1,050) |
| 3/4 | 12B/12P | 0.687 (17.4) | 5.20 | 15,200 (1,050) |
| 1 | 16B/16P | 0.687 (17.4) | 5.20 | 15,200 (1,050) |

Consult your MAXIMATOR representative for **repair kits** and valve bodies. Refer to the Technical Section for proper maintenance procedures.

Maximator recommends pipe connections, sealed with PTFE-Tape, be operated between 0°F (-17°C) and 450°F (230°C). By use anaerobic sealants follow the instruction of the Sealant-Manufacturer

* tapered tip for regulating and shutoff

** Cv values shown are for 2-way straight pattern vee stem valves. For 2-way angle patterns, increase the Cv value by 50%. For Flow coefficient reference curves, please refer to chapter Technical Informations.

*** See page 2 in the Technical Section for Pressure/Temperature Rating Chart.

All technical and dimensional information subject to change. All general Terms and Conditions of sale, including limitations of our liability, apply to all products and services sold.

Products for Sour Gas Applications
Pipe Valves & Fittings
to 15,200 psi (1,050 bar)

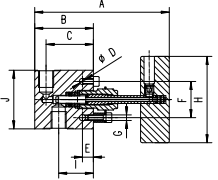
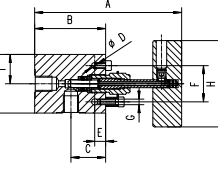
Adapters and Couplings
Medium Pressure
to 22,500 psi (1,550 bar)

Accessories
High Pressure
to 65,000 psi (4,500 bar)

Tools
Ultra High Pressure
to 152,000 psi (10,500 bar)

Technical Information
Valve Actuators

Customized Solutions
Ball Valves
to 21,000 psi (1,500 bar)

| Valve Pattern | Catalog Number | Stem Type | O.D. Tube in. | Orifice in. (mm) | Dimensions in. (mm) | | | | | | | | | | Valve Panel Hole | Block Thickness |
|---|----------------|-----------|-----------------|------------------|---------------------|----------------|----------------|----------------|----------------|----------------|----------------|----------------|----------------|----------------|------------------|-----------------|
| | | | | | A | B | C | D | E | F | H | I | J | | | |
| 2-Way Straight | | | | | | | | | | | | | | | | |
|  | 15V4B071 | Vee | 1/4 | 0.201 (5.1) | 4.61 (117) | 2.01 (51) | 1.62 (41.1) | 0.22 (5.5) | 0.37 (9.5) | 1.24 (31.5) | 2.95 (75) | 1.19 (30.2) | 2.01 (51) | 0.75 (19.1) | 0.79 (20) | |
| | 15V4B081 | Reg | | | | | | | | | | | | | | |
| | 15V4P071 | Vee | | | | | | | | | | | | | | |
| | 15V4P081 | Reg | | | | | | | | | | | | | | |
| | 15V6B071 | Vee | 3/8 | 0.312 (7.9) | 6.3 (160) | 2.88 (73.2) | 2.38 (60.5) | 0.37 (9.5) | 0.45 (11.5) | 1.38 (35) | 3.94 (100) | 1.75 (44.5) | 2.50 (63.5) | 1.00 (25.4) | 1.02 (26) | |
| | 15V6B081 | Reg | | | | | | | | | | | | | | |
| | 15V6P071 | Vee | | | | | | | | | | | | | | |
| | 15V8B071 | Vee | 1/2 | 0.312 (7.9) | 6.496 (165) | 3.11 (79) | 2.36 (60) | 0.37 (9.5) | 0.45 (11.5) | 1.38 (35) | 3.94 (100) | 1.73 (44) | 2.64 (67) | 1.00 (25.4) | 1.54 (39) | |
| | 15V8B081 | Reg | | | | | | | | | | | | | | |
| | 15V8P071 | Vee | | | | | | | | | | | | | | |
| | 15V8P081 | Reg | 3/4 | 0.687 (17.4) | 9.00 (228) | 4.65 (118) | 3.75 (95.3) | 0.53 (13.5) | 1.13 (28.7) | 2.50 (63.5) | 10.31 (262) | 2.81 (71.4) | 4.13 (105) | 1.62 (41.1) | 1.77 (45) | |
| | 15V12B071 | Vee | | | | | | | | | | | | | | |
| | 15V12B081 | Reg | | | | | | | | | | | | | | |
| | 15V12P071 | Vee | 1 | 0.687 (17.4) | 9.00 (228) | 4.65 (118) | 3.75 (95.3) | 0.53 (13.5) | 1.13 (28.7) | 2.50 (63.5) | 10.31 (262) | 2.81 (71.4) | 4.13 (105) | 1.62 (41.1) | 1.77 (45) | |
| | 15V12P081 | Reg | | | | | | | | | | | | | | |
| | 15V16B071 | Vee | | | | | | | | | | | | | | |
| 15V16B081 | Reg | | | | | | | | | | | | | | | |
| 15V16P071 | Vee | 1 | 0.687 (17.4) | 9.00 (228) | 4.65 (118) | 3.75 (95.3) | 0.53 (13.5) | 1.13 (28.7) | 2.50 (63.5) | 10.31 (262) | 2.81 (71.4) | 4.13 (105) | 1.62 (41.1) | 1.77 (45) | | |
| 15V16P081 | Reg | | | | | | | | | | | | | | | |
| 2-Way Angle | | | | | | | | | | | | | | | | |
|  | 15V4B072 | Vee | 1/4 | 0.201 (5.1) | 5.00 (127) | 2.43 (61.7) | 1.19 (30.2) | 0.22 (5.5) | 0.37 (9.5) | 1.24 (31.5) | 2.95 (75) | 1.00 (25.4) | 2.01 (51) | 0.75 (19.1) | 0.79 (20) | |
| | 15V4B082 | Reg | | | | | | | | | | | | | | |
| | 15V4P072 | Vee | | | | | | | | | | | | | | |
| | 15V4P082 | Reg | | | | | | | | | | | | | | |
| | 15V6B072 | Vee | 3/8 | 0.312 (7.9) | 6.77 (172) | 3.38 (85.9) | 1.75 (44.5) | 0.37 (9.5) | 0.45 (11.5) | 1.38 (35) | 3.94 (100) | 1.25 (31.8) | 2.50 (63.5) | 1.00 (25.4) | 1.02 (26) | |
| | 15V6B082 | Reg | | | | | | | | | | | | | | |
| | 15V6P072 | Vee | | | | | | | | | | | | | | |
| | 15V6P082 | Reg | 1/2 | 0.312 (7.9) | 6.464 (164) | 3.11 (79) | 1.73 (44) | 0.37 (9.5) | 0.45 (11.5) | 1.38 (35) | 3.94 (100) | 1.32 (33.5) | 2.64 (67) | 1.00 (25.4) | 1.54 (39) | |
| | 15V8B072 | Vee | | | | | | | | | | | | | | |
| | 15V8B082 | Reg | | | | | | | | | | | | | | |
| | 15V8P072 | Vee | 3/4 | 0.687 (17.4) | 9.00 (228) | 4.65 (118) | 2.81 (71.4) | 0.53 (13.5) | 1.13 (28.7) | 2.50 (63.5) | 10.31 (262) | 2.07 (52.5) | 4.13 (105) | 1.62 (41.1) | 1.77 (45) | |
| | 15V12B072 | Vee | | | | | | | | | | | | | | |
| | 15V12B082 | Reg | | | | | | | | | | | | | | |
| | 15V12P072 | Vee | 1 | 0.687 (17.4) | 9.00 (228) | 4.65 (118) | 2.81 (71.4) | 0.53 (13.5) | 1.13 (28.7) | 2.50 (63.5) | 10.31 (262) | 2.07 (52.5) | 4.13 (105) | 1.62 (41.1) | 1.77 (45) | |
| | 15V12P082 | Reg | | | | | | | | | | | | | | |
| | 15V16B072 | Vee | | | | | | | | | | | | | | |
| 15V16B082 | Reg | | | | | | | | | | | | | | | |
| 15V16P072 | Vee | 1 | 0.687 (17.4) | 9.00 (228) | 4.65 (118) | 2.81 (71.4) | 0.53 (13.5) | 1.13 (28.7) | 2.50 (63.5) | 10.31 (262) | 2.07 (52.5) | 4.13 (105) | 1.62 (41.1) | 1.77 (45) | | |
| 15V16P082 | Reg | | | | | | | | | | | | | | | |

G - Panel mounting screw thread size 10-24 UNC (screw included). All dimensions are for reference only and are subject to change.

Pipe Fittings

» Pressures to 15,200 psi (1,050 bar)

Pipe Fittings

Maximator Pipe Fittings are designed for liquid and gas applications. The P Series Fittings are available from 1/4" to 1" NPT to 15,200 psi (1,050 bar).

NPT threads must be sealed using a high quality PTFE tape and/or paste product. Sealing performance may vary based on many factors such as pressure, temperature, media, thread quality, thread material, proper thread engagement and proper use of thread sealant.

MAXIMATOR recommends to limit the number of times an NPT fitting is assembled and disassembled because thread deformation during assembly will result in deteriorating seal quality over time. When using only PTFE tape, using thread lubrication to prevent galling of mating parts is recommended.



| Fitting Pattern | Catalog Number | Connection Type | Orifice in. (mm) | Dimensions in. (mm) | | | | | | | Block Thickness |
|-----------------|----------------|-----------------|------------------|---------------------|-----------|------------|-------------|-------------|-------------|-------------|-----------------|
| | | | | A | B | C | D | E | F | G | |
| Pipe Elbow | | | | | | | | | | | |
| | 15L4P | 1/4" NPT | 0.201 (5.1) | 0.75 (19) | 1.14 (29) | 1.54 (39) | 0.75 (19) | 0.49 (12.5) | 0.49 (12.5) | 0.22 (5.5) | 0.79 (20) |
| | 15L6P | 3/8" NPT | 0.312 (7.9) | 1.00 (25.4) | 1.50 (38) | 2.01 (51) | 1.00 (25.4) | 0.63 (16) | 0.63 (16) | 0.26 (6.5) | 1.02 (26) |
| | 15L8P | 1/2" NPT | 0.312 (7.9) | 1.50 (38) | 1.89 (48) | 2.99 (76) | 1.25 (31.8) | 0.84 (21.3) | 1.08 (27.5) | 0.33 (8.5) | 1.38 (35) |
| | 15L12P | 3/4" NPT | 0.685 (17.4) | 1.50 (38) | 2.24 (57) | 2.99 (76) | 1.50 (38) | 1.00 (25.4) | 1.00 (25.4) | 0.35 (9) | 1.38 (35) |
| | 15L16P | 1" NPT | 0.685 (17.4) | 2.07 (52.5) | 2.52 (64) | 4.13 (105) | 1.57 (40) | 1.10 (28) | 1.38 (35) | 0.53 (13.5) | 1.77 (45) |
| Pipe Tee | | | | | | | | | | | |
| | 15T4P | 1/4" NPT | 0.201 (5.1) | 0.77 (19.5) | 1.14 (29) | 1.54 (39) | 0.75 (19) | 0.49 (12.5) | 1.02 (26) | 0.22 (5.5) | 0.79 (20) |
| | 15T6P | 3/8" NPT | 0.312 (7.9) | 1.00 (25.4) | 1.50 (38) | 2.01 (51) | 1.00 (25.4) | 0.63 (16) | 1.26 (32) | 0.26 (6.5) | 1.02 (26) |
| | 15T8P | 1/2" NPT | 0.312 (7.9) | 1.50 (38) | 1.89 (48) | 2.99 (76) | 1.26 (32) | 0.87 (22) | 2.00 (51) | 0.35 (9) | 1.38 (35) |
| | 15T12P | 3/4" NPT | 0.685 (17.4) | 1.50 (38) | 2.20 (56) | 2.99 (76) | 1.50 (38) | 1.00 (25.4) | 2.00 (51) | 0.35 (9) | 1.38 (35) |
| | 15PT16P | 1" NPT | 0.685 (17.4) | 2.07 (52.5) | 2.52 (64) | 4.13 (105) | 1.57 (40) | 1.10 (28) | 2.76 (70) | 0.53 (13.5) | 1.77 (45) |

See page 2 in the Technical Section for pressure/temperature rating chart. All dimensions are for reference only and are subject to change.

All technical and dimensional information subject to change. All general Terms and Conditions of sale, including limitations of our liability, apply to all products and services sold.

Products for Sour Gas Applications
Pipe Valves & Fittings
to 15,200 psi (1,050 bar)

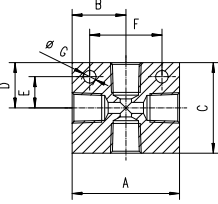
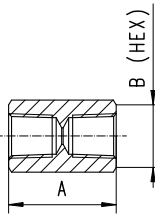
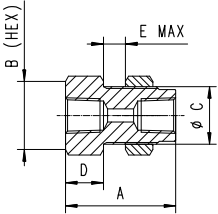
Adapters and Couplings
Medium Pressure
to 22,500 psi (1,550 bar)

Accessories
High Pressure
to 65,000 psi (4,500 bar)

Tools
Ultra High Pressure
to 152,000 psi (10,500 bar)

Technical Information
Valve Actuators

Customized Solutions
Ball Valves
to 21,000 psi (1,500 bar)

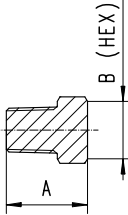
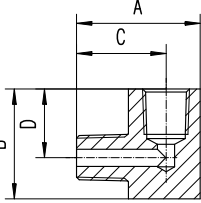
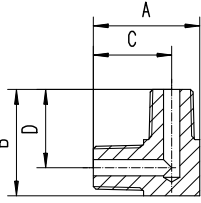
| Fitting Pattern | Catalog Number | Connection Type | Orifice in. (mm) | Dimensions in. (mm) | | | | | | | Block Thickness |
|---|----------------|-----------------|------------------|---------------------|-----------------|----------------|----------------|----------------|--------------|----------------|-----------------|
| | | | | A | B | C | D | E | F | G | |
| Pipe Cross | | | | | | | | | | | |
|  | 15X4P | 1/4" NPT | 0.201 (5.1) | 1.54 (39) | 0.77 (19.5) | 1.54 (39) | 0.77 (19.5) | 0.49 (12.5) | 0.98 (25) | 0.22 (5.5) | 0.79 (20) |
| | 15X6P | 3/8" NPT | 0.312 (7.9) | 2.01 (51) | 1.00 (25.4) | 2.01 (51) | 1.00 (25.4) | 0.63 (16) | 1.26 (32) | 0.26 (6.5) | 1.02 (26) |
| | 15X8P | 1/2" NPT | 0.312 (7.9) | 2.99 (76) | 1.50 (38) | 2.52 (64) | 1.26 (32) | 0.87 (22) | 2.01 (51) | 0.35 (9) | 1.38 (35) |
| | 15X12P | 3/4" NPT | 0.685 (17.4) | 2.99 (76) | 1.50 (38) | 2.99 (76) | 1.50 (38) | 1.00 (25.4) | 2.01 (51) | 0.35 (9) | 1.38 (35) |
| | 15X16P | 1" NPT | 0.685 (17.4) | 4.13 (105) | 2.07 (52.5) | 3.15 (80) | 1.57 (40) | 1.10 (28) | 2.76 (70) | 0.53 (13.5) | 1.77 (45) |
| Pipe Coupling | | | | | | | | | | | |
|  | 15F4P | 1/4" NPT | 0.201 (5.1) | 1.50 (38.1) | 0.81 (20.6) | | | | | | |
| | 15F6P | 3/8" NPT | 0.312 (7.9) | 1.63 (41.3) | 1.06 (27) | | | | | | |
| | 15F8P | 1/2" NPT | 0.312 (7.9) | 2.05 (52) | 1.19 (30.2) | | | | | | |
| | 15F12P | 3/4" NPT | 0.685 (17.4) | 2.72 (69) | 1.44 (36.5) | | | | | | |
| | 15F16P | 1" NPT | 0.685 (17.4) | 2.52 (64) | 2.00 (50.8) | | | | | | |
| Pipe Bulkhead Coupling | | | | | | | | | | | |
|  | 15BF4P | 1/4" NPT | 0.201 (5.1) | 2.00 (50.8) | 1.06 (27) | 0.9 (23) | 0.63 (16) | 0.71 (18) | | | |
| | 15BF6P | 3/8" NPT | 0.312 (7.9) | 2.38 (60.5) | 1.44 (36.5) | 1.14 (29) | 0.79 (20) | 0.63 (16) | | | |
| | 15BF8P | 1/2" NPT | 0.312 (7.9) | 2.63 (66.8) | 1.63 (41.28) | 1.39 (35.5) | 0.91 (23) | 0.63 (16) | | | |
| | 15BF12P | 3/4" NPT | 0.685 (17.4) | 2.63 (66.8) | 2.00 (50.8) | 1.69 (43) | 0.91 (23) | 0.47 (12) | | | |
| | 15BF16P | 1" NPT | 0.685 (17.4) | 3.50 (89) | 2.00 (50.8) | 1.97 (50) | 1.50 (38) | 0.39 (10) | | | |

See page 2 in the Technical Section for pressure/temperature rating chart.
All dimensions are for reference only and are subject to change.

All technical and dimensional information subject to change. All general Terms and Conditions of sale, including limitations of our liability, apply to all products and services sold.

Pipe Fittings

» Pressures to 15,200 psi (1,050 bar)

| Fitting Pattern | Catalog Number | Connection Type | Orifice in. (mm) | Dimensions in. (mm) | | | | | | | Block Thickness |
|---|----------------|-----------------|------------------|---------------------|----------------|----------------|----------------|---|---|---|-----------------|
| | | | | A | B | C | D | E | F | G | |
| Pipe Plugs | | | | | | | | | | | |
|  | 15P4P | 1/4" NPT | | 1.10 (28) | 0.69 (17.5) | | | | | | |
| | 15P6P | 3/8" NPT | | 1.10 (28) | 0.88 (22.2) | | | | | | |
| | 15P8P | 1/2" NPT | | 1.50 (38) | 1.06 (27) | | | | | | |
| | 15P12P | 3/4" NPT | | 1.50 (38) | 1.44 (36.5) | | | | | | |
| | 15P16P | 1" NPT | | 1.89 (48) | 1.44 (36.5) | | | | | | |
| Street Pipe Elbow | | | | | | | | | | | |
|  | 15SPL4P | 1/4" NPT | 0.201 (5.1) | 1.50 (38.1) | 1.50 (38.1) | 1.13 (28.7) | 1.00 (25.4) | | | | 0.79 (20) |
| | 15SPL6P | 3/8" NPT | 0.312 (7.9) | 1.76 (44.8) | 1.50 (38.1) | 1.25 (31.8) | 1.00 (25.4) | | | | 1.02 (26) |
| | 15SPL8P | 1/2" NPT | 0.312 (7.9) | 2.25 (57.2) | 2.00 (50.8) | 1.63 (41.4) | 1.25 (31.8) | | | | 1.02 (26) |
| | 15SPL12P | 3/4" NPT | 0.685 (17.4) | 2.5 (63.5) | 2.62 (66.6) | 1.81 (46) | 1.70 (43.3) | | | | 1.54 (39) |
| | 15SPL16P | 1" NPT | 0.685 (17.4) | 2.99 (76) | 2.99 (76) | 2.13 (54) | 2.01 (51) | | | | 1.77 (45) |
| Male Pipe Elbow | | | | | | | | | | | |
|  | 15MPL4P | 1/4" NPT | 0.201 (5.1) | 1.50 (38) | 1.50 (38) | 1.13 (28.7) | 1.13 (28.7) | | | | 0.79 (20) |
| | 15MPL6P | 3/8" NPT | 0.312 (7.9) | 1.75 (60.5) | 1.75 (36.5) | 1.25 (29) | 1.25 (20) | | | | 1.02 (26) |
| | 15MPL8P | 1/2" NPT | 0.312 (7.9) | 2.00 (50.8) | 2.00 (50.8) | 1.47 (37.4) | 1.47 (37.4) | | | | 1.02 (26) |
| | 15MPL12P | 3/4" NPT | 0.685 (17.4) | 2.62 (66.6) | 2.62 (66.6) | 1.87 (47.6) | 1.87 (47.6) | | | | 1.54 (39) |
| | 15MPL16P | 1" NPT | 0.685 (17.4) | 2.99 (76) | 2.99 (76) | 2.13 (54) | 2.13 (54) | | | | 1.77 (45) |

See page 2 in the Technical Section for pressure/temperature rating chart. All dimensions are for reference only and are subject to change.

All technical and dimensional information subject to change. All general Terms and Conditions of sale, including limitations of our liability, apply to all products and services sold.

Products for Sour Gas Applications
Pipe Valves & Fittings
to 15,200 psi (1,050 bar)

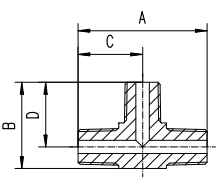
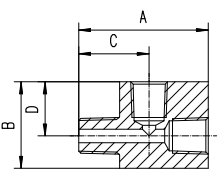
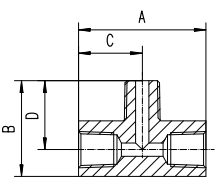
Adapters and Couplings
Medium Pressure
to 22,500 psi (1,550 bar)

Accessories
High Pressure
to 65,000 psi (4,500 bar)

Tools
Ultra High Pressure
to 152,000 psi (10,500 bar)

Technical Information
Valve Actuators

Customized Solutions
Ball Valves
to 21,000 psi (1,500 bar)

| Fitting Pattern | Catalog Number | Connection Type | Orifice in. (mm) | Dimensions in. (mm) | | | | | | | Block Thickness |
|---|----------------|-----------------|------------------|---------------------|-------------|-------------|-------------|---|---|---|-----------------|
| | | | | A | B | C | D | E | F | G | |
| Male Pipe Tee | | | | | | | | | | | |
|  | 15MPT4P | 1/4" NPT | 0.201 (5.1) | 2.26 (57.4) | 1.50 (38) | 1.13 (28.7) | 1.13 (28.7) | | | | 0.79 (20) |
| | 15MPT6P | 3/8" NPT | 0.312 (7.9) | 2.50 (63.5) | 1.75 (44.5) | 1.25 (31.8) | 1.25 (31.8) | | | | 1.02 (26) |
| | 15MPT8P | 1/2" NPT | 0.312 (7.9) | 3.00 (76.2) | 2.00 (50.8) | 1.50 (38) | 1.50 (38) | | | | 1.02 (26) |
| | 15MPT12P | 3/4" NPT | 0.685 (17.4) | 3.50 (89) | 2.62 (66.6) | 1.75 (44.5) | 1.77 (44.5) | | | | 1.54 (39) |
| | 15MPT16P | 1" NPT | 0.685 (17.4) | 4.13 (105) | 2.99 (76) | 2.07 (52.5) | 2.13 (54) | | | | 1.77 (45) |
| Street Pipe Tee | | | | | | | | | | | |
|  | 15SPT4P | 1/4" NPT | 0.201 (5.1) | 2.00 (50.8) | 1.38 (35) | 1.15 (29.3) | 1.00 (25.4) | | | | 0.79 (20) |
| | 15SPT6P | 3/8" NPT | 0.312 (7.9) | 2.50 (63.5) | 1.50 (38) | 1.50 (38) | 1.00 (25.4) | | | | 1.02 (26) |
| | 15SPT8P | 1/2" NPT | 0.312 (7.9) | 3.00 (76.2) | 2.00 (50.8) | 1.63 (41.4) | 1.25 (31.8) | | | | 1.38 (35) |
| | 15SPT12P | 3/4" NPT | 0.685 (17.4) | 3.15 (80) | 2.62 (66.6) | 1.81 (46.9) | 1.70 (43.3) | | | | 1.54 (39) |
| | 15SPT16P | 1" NPT | 0.685 (17.4) | 4.13 (105) | 2.99 (76) | 2.13 (54) | 2.13 (54) | | | | 1.77 (45) |
| Male Branch Tee | | | | | | | | | | | |
|  | 15BPT4P | 1/4" NPT | 0.201 (5.1) | 2.00 (50.8) | 1.50 (38) | 1.00 (25.4) | 1.13 (28.7) | | | | 0.79 (20) |
| | 15BPT6P | 3/8" NPT | 0.312 (7.9) | 2.00 (50.8) | 1.75 (44.5) | 1.00 (25.4) | 1.25 (31.8) | | | | 1.02 (26) |
| | 15BPT8P | 1/2" NPT | 0.312 (7.9) | 3.00 (76.2) | 2.25 (57.2) | 1.50 (38) | 1.62 (41.2) | | | | 1.38 (35) |
| | 15BPT12P | 3/4" NPT | 0.685 (17.4) | 3.00 (76.2) | 2.62 (66.6) | 1.50 (38) | 1.87 (47.6) | | | | 1.54 (39) |
| | 15BPT16P | 1" NPT | 0.685 (17.4) | 4.13 (105) | 2.99 (76) | 2.07 (52.5) | 2.13 (54) | | | | 1.77 (45) |

See page 2 in the Technical Section for pressure/temperature rating chart. All dimensions are for reference only and are subject to change.

All technical and dimensional information subject to change. All general Terms and Conditions of sale, including limitations of our liability, apply to all products and services sold.

Pipe Hex Nipples

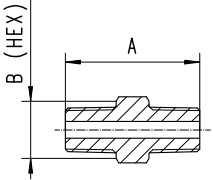
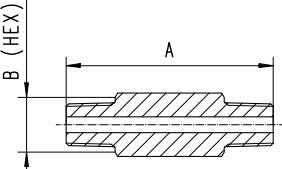
» Pressures to 15,200 psi (1,050 bar)

Pipe Hex Nipples

Maximator Pipe Hex Nipples are designed for rapid system make-up. They are available in various lengths for pipe valves and fittings.

In addition to the minimum lengths (Pipe Hex Close Nipples) and standard lengths listed in the table below, Pipe Hex Nipples are also available in custom length. Please consult factory.



| Fitting Pattern | Catalog Number | Connection Type psi (bar) | Working Pressure (mm) | Orifice in. (mm) | Dimensions in. (mm) | |
|---|------------------------|------------------------------|--------------------------|------------------------|------------------------|------------------------|
| | | | | | A | B (Hex.) |
| Pipe Hex Close Nipple | | | | | | |
|  | 15M4P | 1/4" NPT | 15,200 (1,050) | 0.201 (5.1) | 1.85 (47) | 0.69 (17.46) |
| | 15M6P | 3/8" NPT | 15,200 (1,050) | 0.312 (7.9) | 1.89 (48) | 0.88 (22.2) |
| | 15M8P | 1/2" NPT | 15,200 (1,050) | 0.312 (7.9) | 2.50 (63.5) | 1.06 (27) |
| | 15M12P | 3/4" NPT | 15,200 (1,050) | 0.685 (17.4) | 2.81 (71.5) | 1.44 (36.5) |
| | 15M16P | 1" NPT | 15,200 (1,050) | 0.685 (17.4) | 3.19 (81) | 1.44 (36.5) |
| Pipe Hex Nipples | | | | | | |
|  | 15M4P-4 | 1/4" NPT | 15,200 (1,050) | 0.201 (5.1) | 4.00 (101.6) | 0.69 (17.46) |
| | 15M4P-6 | | | | 6.00 (152.4) | |
| | 15M4P-8 | | | | 8.00 (203.2) | |
| | 15M6P-4 | 3/8" NPT | 15,200 (1,050) | 0.312 (7.9) | 4.00 (101.6) | 0.88 (22.2) |
| | 15M6P-6 | | | | 6.00 (152.4) | |
| | 15M6P-8 | | | | 8.00 (203.2) | |
| | 15M8P-4 | 1/2" NPT | 15,200 (1,050) | 0.312 (7.9) | 4.00 (101.6) | 1.06 (27) |
| | 15M8P-6 | | | | 6.00 (152.4) | |
| | 15M8P-8 | | | | 8.00 (203.2) | |
| | 15M12P-4 | 3/4" NPT | 15,200 (1,050) | 0.685 (17.4) | 4.00 (101.6) | 1.44 (36.5) |
| | 15M12P-6 | | | | 6.00 (152.4) | |
| | 15M12P-8 | | | | 8.00 (203.2) | |
| | 15M16P-4 | 1" NPT | 15,200 (1,050) | 0.685 (17.4) | 4.00 (101.6) | 1.44 (36.5) |
| 15M16P-6 | 6.00 (152.4) | | | | | |
| 15M16P-8 | 8.00 (203.2) | | | | | |

See page 2 in the Technical Section for pressure/temperature rating chart. All dimensions are for reference only and are subject to change.

All technical and dimensional information subject to change. All general Terms and Conditions of sale, including limitations of our liability, apply to all products and services sold.

Products for Sour Gas Applications
Pipe Valves & Fittings
to 15,200 psi (1,050 bar)

Adapters and Couplings
Medium Pressure
to 22,500 psi (1,550 bar)

Accessories
High Pressure
to 65,000 psi (4,500 bar)

Tools
Ultra High Pressure
to 152,000 psi (10,500 bar)

Technical Information
Valve Actuators

Customized Solutions
Ball Valves
to 21,000 psi (1,500 bar)

Pipe O-Ring Check Valves

» Pressures to 15,200 psi (1,050 bar)

Pipe O-Ring Check Valves

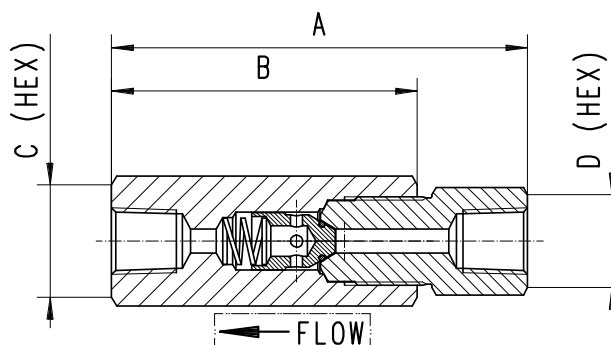
Maximator Pipe O-Ring Check Valves provide high quality directional flow control and bubble tight shut-off for liquids and gases. These check valves are not to be used as a relief device. The opening pressure of the O-Ring Check Valves is approx. 20 psi (1.5 bar).

» Materials:

Body, cover, poppet, cover gland: 316 stainless steel

Spring: 300 series stainless steel

O-ring: FKM "A" [-4°F to 392°F (-20°C to 200°C)]



| Catalog Number | Connection Type | Pressure Rating psi (bar) | Orifice in. (mm) | Rated (Cv) | Dimensions in. (mm) | | | |
|--------------------------|-----------------|------------------------------|------------------------|---------------|---------------------|---------------|----------------|----------------|
| | | | | | A | B | C (Hex.) | D (Hex.) |
| Pipe O-Ring Check Valves | | | | | | | | |
| 150C4P | 1/4" NPT | 15,200 (1.050) | 0.201 (5.1) | 0.28 | 3.36 (85.3) | 2.40 (61) | 0.88 (22.2) | 0.88 (22.2) |
| 150C6P | 3/8" NPT | 15,200 (1.050) | 0.312 (7.9) | 0.84 | 3.94 (100) | 2.95 (75) | 1.44 (36.5) | 1.44 (36.5) |
| 150C8P | 1/2" NPT | 15,200 (1.050) | 0.312 (7.9) | 2.30 | 5.30 (134.7) | 3.90 (99) | 1.44 (36.5) | 1.44 (36.5) |
| 150C12P | 3/4" NPT | 15,200 (1.050) | 0.685 (17.4) | 4.70 | 6.25 (159.8) | 4.88 (124) | 2.00 (50.8) | 2.00 (50.8) |
| 150C16P | 1" NPT | 15,200 (1.050) | 0.685 (17.4) | 7.40 | 7.32 (186) | 5.75 (146) | 2.00 (50.8) | 2.00 (50.8) |

CAUTION: FREQUENT INSPECTIONS of O-Rings are necessary to ensure proper service of the check valve. O-Rings have shown satisfactory service life in testing, however different service conditions may lead to variations in cycle and shelf life.

All dimensions for reference only and are subject of change

Pipe Ball Check Valves

» Pressures to 15,200 psi (1,050 bar)

Pipe Ball Check Valves

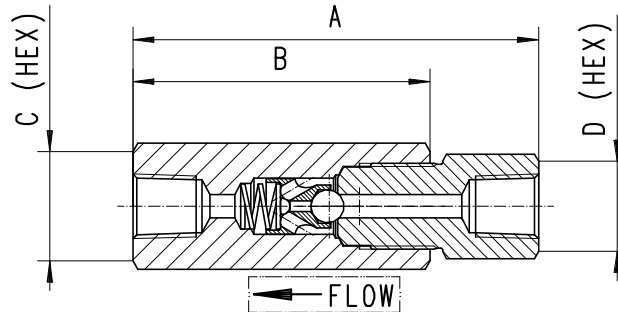
Maximator Pipe Ball Check Valves prevent reverse flow where bubble tight shut-off is not mandatory. These check valves are designed to operate to 660°F (350°C). These check valves are not to be used as a relief device. The opening pressure of the Pipe Ball Check Valves is approx. 20 psi (1.5 bar).

» Materials:

Body, cover, poppet, cover gland: 316 stainless steel

Ball: 316 stainless steel

Spring: 300 series stainless steel



| Catalog Number | Connection Type | Pressure Rating psi (bar) | Orifice in. (mm) | Rated (Cv) | Dimensions in. (mm) | | | |
|------------------------|-----------------|------------------------------|------------------------|---------------|---------------------|---------------|----------------|----------------|
| | | | | | A | B | C (Hex.) | D (Hex.) |
| Pipe Ball Check Valves | | | | | | | | |
| 15BC4P | 1/4" NPT | 15,200 (1.050) | 0.201 (5.1) | 0.28 | 3.36 (85.3) | 2.40 (61) | 0.88 (22.2) | 0.88 (22.2) |
| 15BC6P | 3/8" NPT | 15,200 (1.050) | 0.312 (7.9) | 0.84 | 3.94 (100) | 2.95 (75) | 1.44 (36.5) | 1.44 (36.5) |
| 15BC8P | 1/2" NPT | 15,200 (1.050) | 0.312 (7.9) | 2.30 | 5.32 (135.7) | 3.90 (99) | 1.44 (36.5) | 1.44 (36.5) |
| 15BC12P | 3/4" NPT | 15,200 (1.050) | 0.685 (17.4) | 4.70 | 6.29 (159.8) | 4.88 (124) | 2.00 (50.8) | 2.00 (50.8) |
| 15BC16P | 1" NPT | 15,200 (1.050) | 0.685 (17.4) | 7.40 | 7.32 (186) | 5.75 (146) | 2.00 (50.8) | 2.00 (50.8) |

All dimensions for reference only and are subject of change

All technical and dimensional information subject to change. All general Terms and Conditions of sale, including limitations of our liability, apply to all products and services sold.

Products for Sour
Gas Applications
Pipe Valves & Fittings
to 15,200 psi (1,050 bar)

Adapters and
Couplings
Medium Pressure
to 22,500 psi (1,550 bar)

Accessories
High Pressure
to 65,000 psi (4,500 bar)

Tools
Ultra High Pressure
to 152,000 psi (10,500 bar)

Technical
Information
Valve Actuators

Customized
Solutions
Ball Valves
to 21,000 psi (1,500 bar)

Pipe Line Filter

» Pressures to 15,200 psi (1,050 bar)

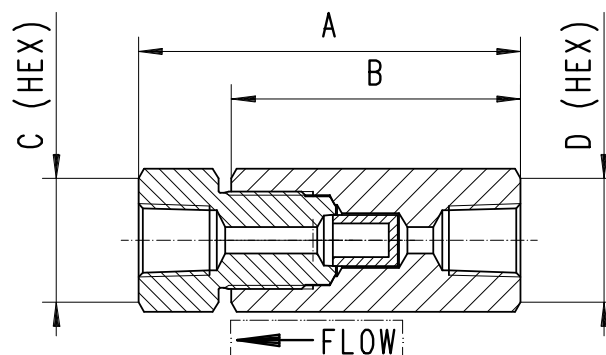
Pipe Line Filter

Maximator Pipe Line Filters are used to filter process fluids in high pressure systems. The cup type design is used when maximum filtration surface area and a single micron size element is preferred. This design increases the filter area as much as 6 times the area of the disc type filter, and will permit higher flow rates with a lower pressure drop, and longer intervals between element changes. Filter elements come standard in 5, 30, or 56 micron sizes and are easily replaced. Filters are rated for temperatures -330°F to 660°F (-200°C to 350°C).

» Materials:

Body, cover, cover gland: 316 series stainless steel

Element: 300 series stainless steel



| Catalog Number | Pressure Rating psi (bar) | Orifice in. (mm) | Micron Size | Connection Type | Filter Element Area in. ² (mm ²) | Dimensions in. (mm) | | | |
|------------------|------------------------------|---------------------|-------------|-----------------|--|---------------------|---------------|----------------|----------------|
| | | | | | | A | B | C (Hex.) | D (Hex.) |
| Pipe Line Filter | | | | | | | | | |
| 15CF4P-5 | 15,200 (1,050) | 0.201 (5.1) | 5 | 1/4" NPT | 0.82 (530) | 3.25 (82.5) | 2.36 (60) | 0.88 (22.2) | 0.88 (22.2) |
| 15CF4P-30 | | | 30 | | | | | | |
| 15CF4P-56 | | | 56 | | | | | | |
| 15CF6P-5 | 15,200 (1,050) | 0.312 (7.9) | 5 | 3/8" NPT | 1.55 (1,000) | 3.69 (93.84) | 2.83 (72) | 1.19 (30.2) | 1.44 (36.5) |
| 15CF6P-30 | | | 30 | | | | | | |
| 15CF6P-56 | | | 56 | | | | | | |
| 15CF8P-5 | 15,200 (1,050) | 0.312 (7.9) | 5 | 1/2" NPT | 1.55 (1,000) | 4.42 (112.4) | 3.35 (85) | 1.44 (36.5) | 1.44 (36.5) |
| 15CF8P-30 | | | 30 | | | | | | |
| 15CF8P-56 | | | 56 | | | | | | |
| 15CF12P-5 | 15,200 (1,050) | 0.685 (17.4) | 5 | 3/4" NPT | 6.14 (3,690) | 6.57 (66.94) | 5.12 (130) | 2.00 (50.8) | 2.00 (50.8) |
| 15CF12P-30 | | | 30 | | | | | | |
| 15CF12P-56 | | | 56 | | | | | | |
| 15CF16P-5 | 15,200 (1,050) | 0.685 (17.4) | 5 | 1" NPT | 6.14 (3,690) | 6.77 (171.9) | 5.31 (135) | 2.00 (50.8) | 2.00 (50.8) |
| 15CF16P-30 | | | 30 | | | | | | |
| 15CF16P-56 | | | 56 | | | | | | |

It is recommended that all fluids entering a high pressure system be thoroughly cleaned.

Maximator filters are designed to remove small amounts of process particles. Pressure differential should not exceed 1000 psi across the filter elements.

All dimensions for reference only and are subject of change

All technical and dimensional information subject to change. All general Terms and Conditions of sale, including limitations of our liability, apply to all products and services sold.

Products for Sour Gas Applications
Pipe Valves & Fittings
to 15,200 psi (1,050 bar)

Adapters and Couplings
Medium Pressure
to 22,500 psi (1,550 bar)

Accessories
High Pressure
to 65,000 psi (4,500 bar)

Tools
Ultra High Pressure
to 152,000 psi (10,500 bar)

Technical Information
Valve Actuators

Customized Solutions
Ball Valves
to 21,000 psi (1,500 bar)